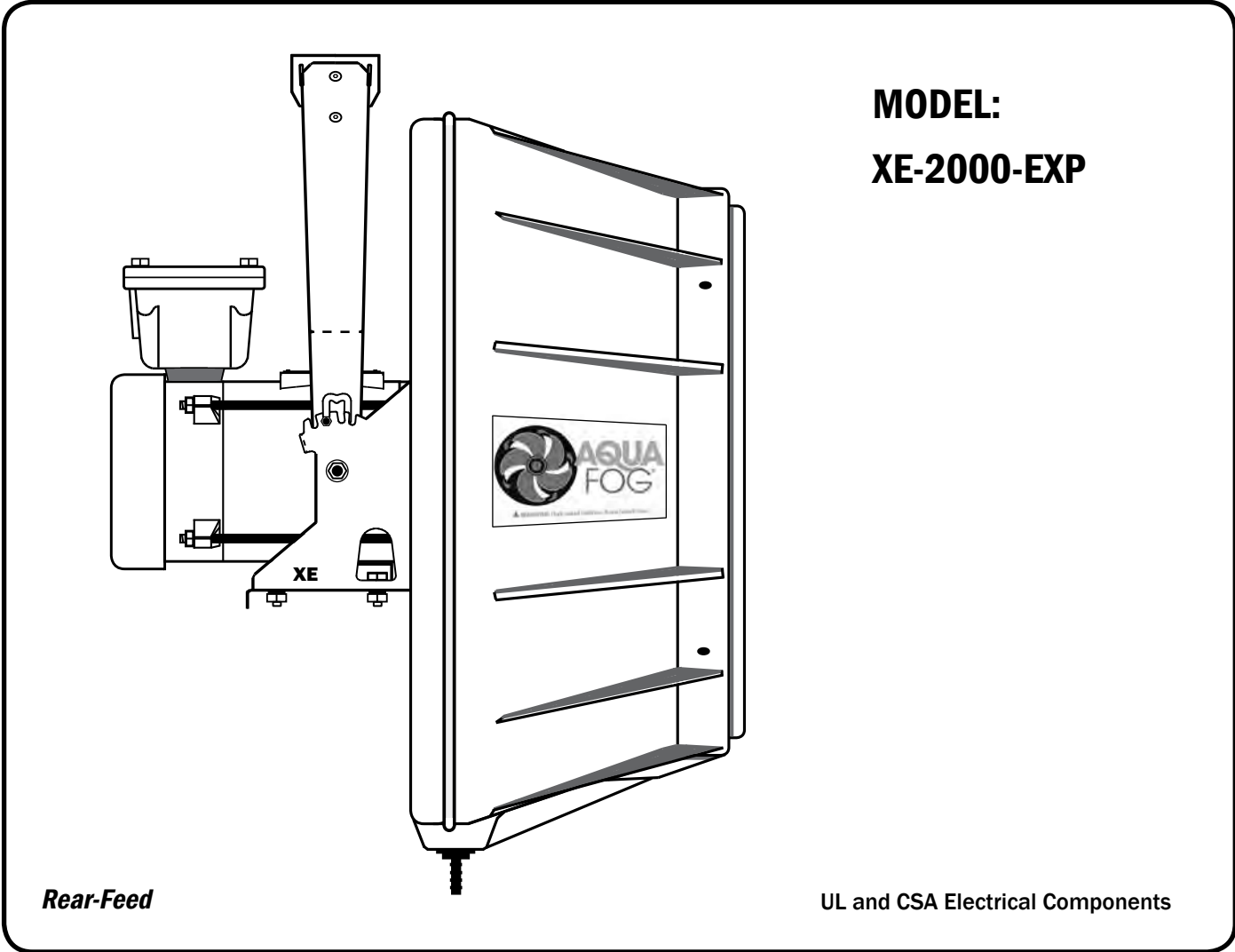




TURBO XE ATOMIZER

USER'S MANUAL AND OPERATING INSTRUCTIONS



**MODEL:
XE-2000-EXP**

Rear-Feed

UL and CSA Electrical Components

OPERATOR'S MANUAL



NOTICE

**Read & Understand
Retain for Future Reference**

TABLE OF CONTENTS

	PAGE
General Safety	3
Preparation	4
Placement	5 - 6
Installation	7
- motor & tubing	8
- installing blade assembly	9
- housing & pivot adjustment	10
- connecting water & power	11 - 12
Operation	13
Common Setups	14
Troubleshooting	15 - 16
Turbo XE Exploded View	17 - 18
Flowmeter Exploded View	19
Part Identification List	20
Maintenance	21
Warranty	22


DESCRIPTION

Aquafog units are intended to condition large volumes of air using water or other non-hazardous liquids at air temperatures between 31°F and 145°F. Any other use of these units will void the warranty and the manufacturer will not be responsible for problems or damages resulting from misuse.

Safety Guidelines

This manual contains very important information. This information will help ensure SAFETY and PREVENT EQUIPMENT PROBLEMS. Use these symbols to understand safety guidelines.

 **DANGER** DANGER INDICATES AN IMMINENTLY HAZARDOUS SITUATION WHICH, IF NOT AVOIDED, WILL RESULT IN DEATH OR SERIOUS INJURY.

 **WARNING** WARNING INDICATES A POTENTIALLY HAZARDOUS SITUATION WHICH, IF NOT AVOIDED, COULD RESULT IN DEATH OR SERIOUS INJURY.


 **CAUTION** CAUTION INDICATES A POTENTIALLY HAZARDOUS SITUATION WHICH, IF NOT AVOIDED, MAY RESULT IN MINOR OR MODERATE INJURY.

 **NOTICE** NOTICE INDICATES IMPORTANT INFORMATION, THAT IF NOT FOLLOWED, MAY CAUSE DAMAGE TO EQUIPMENT.

Notes

GENERAL SAFETY

Since the Turbo XE uses high-speed components to atomize liquids, the following safety precautions must be observed at all times:

1. Read all manuals included with this product. Be familiar with the product and controls. 
2. Follow United States Environmental Protection Agency (EPA) guidelines and regulations when fogging pesticide or chemical solutions.
3. Follow all local electrical and safety codes as well as the United States National Electrical Codes (NEC) and Occupational Safety and Health Act (OSHA).
4. Only persons well acquainted with these rules of safe operation should be allowed to use the atomizer.
5. Keep visitors away and NEVER allow children in the work area.
6. Use of an extension cord for the Turbo XE is not recommended. If necessary, consult a certified electrician about use of a heavy-gauge, grounded extension cord.
7. Before each use, inspect blade assembly and electrical components for signs of damage, deterioration, weakness or leakage. Repair or replace defective items before using.
8. Check all fasteners at frequent intervals for proper tightness.

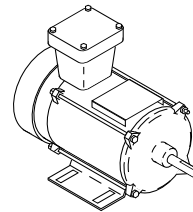
WARNING NEVER OPERATE TURBO XE WITHOUT THE SAFETY GUARD IN PLACE IF THE UNIT IS LOWER THAN SEVEN FEET ABOVE WORKING HEIGHT.

9. Keep fingers away from a running unit; fast moving and hot parts will cause injury and/or burns.
10. If the equipment starts to vibrate abnormally, STOP the motor and check immediately for the cause. Vibration is generally an indication of trouble.

NOTICE

HAZARDOUS DUTY CERTIFICATION

ABB Explosion-Proof motors are UL and CSA approved for the following hazardous locations:



CLASS 1, Group D locations containing volatile gases such as Gasoline, Hexane, Naphtha, Benzene, Propane, Alcohol etc.

CLASS 2, Group F & G locations containing dust such as (F) Carbon Black, Coal or Coke Dust or (G) Flour, Starch, or Grain Dusts.

DANGER

HIGH-SPEED ROTATION. A MOTIONLESS ATOMIZER MAY APPEAR SAFE, BUT ITS BLADE COULD SUDDENLY BEGIN HIGH-SPEED ROTATION WITHOUT WARNING AS A RESULT OF CONTROL PROGRAMMING.

11. When Turbo XEs are automated by controls, warning signs should be posted near the high-speed equipment.



12. Disconnect and lock-out power source to inspect or service the unit.

Fogging Precautions

DANGER

DO NOT ATOMIZE FLAMMABLE MATERIALS.

13. Humidity and cold air are two common asthma triggers. Asthmatic people working with this equipment need to be made aware of the risk.



14. When atomizing toxic chemicals, follow the instructions provided by the chemical manufacturer.

PREPARATION

HARDWARE CHECKLIST

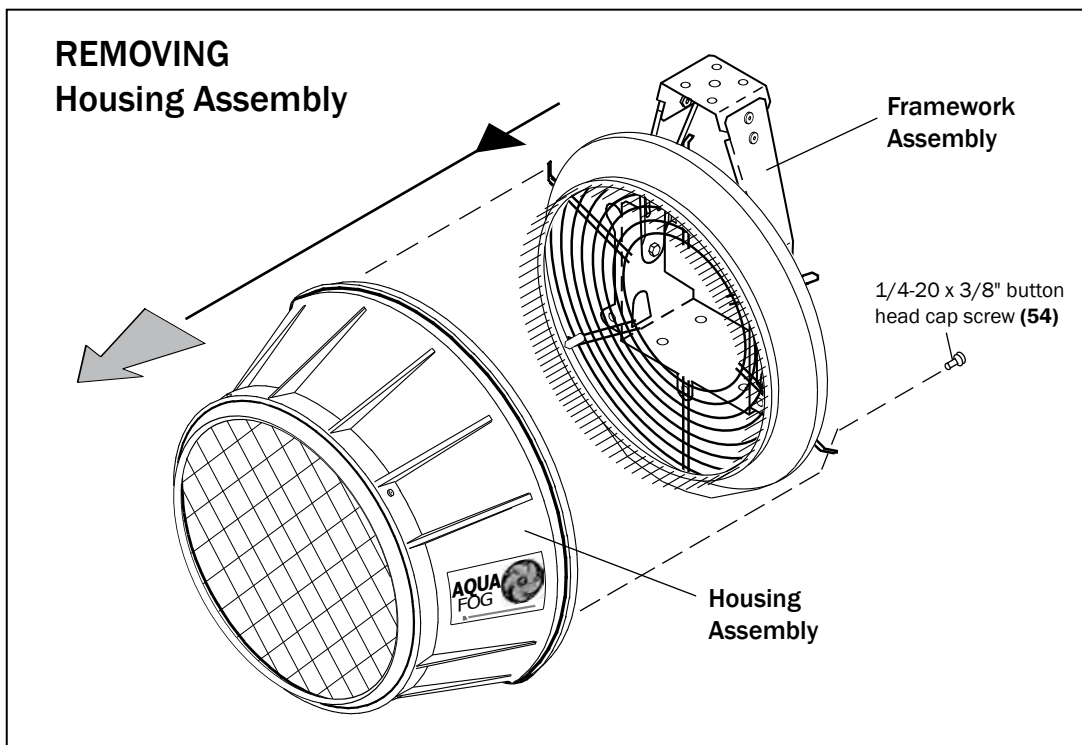
- (2) 1/4-20" SST U-bolt
- (4) 1/4" flat washer, lock washer, nut
- (4) 1/4-20 nylon stop nut SST
- (4) 5/16-18 bolt, flat washer, lockwasher, nut
- (6) wire tie

TOOLS REQUIRED

- ▶ Level
- ▶ 7/16" wrenches
- ▶ 1/2" wrenches
- ▶ 3/32" allen wrench
- ▶ 5/32" allen wrench



Fig. 1



UNPACKING

After unpacking the unit, inspect for any damage that may have occurred during transit. Make sure to tighten fittings, bolts, etc., before operation.



WARNING

DO NOT OPERATE UNIT IF DAMAGED DURING SHIPPING, HANDLING OR USE. DAMAGE MAY RESULT IN BREAKAGE AND CAUSE INJURY OR PROPERTY DAMAGE.

PRE-INSTALLATION

Detach housing assembly by using the 5/32" allen wrench to remove the six cap screws securing the housing assembly to the framework assembly. (See Fig. 1)

Store hardware in safe location for later use.

PLACEMENT



Placement Guidelines



NOTICE

LOCATE A LEVEL AREA TO SET UP A STAND. TO HANG THE UNIT, SECURE AND LEVEL 1" PIPE ABLE TO SUPPORT 80 LBS.



Mount the fan high overhead. Allow room in front of and below the fan for the unobstructed propulsion of fog. Rule of thumb: the higher the better, but mount at least three feet away from any roofing structures.

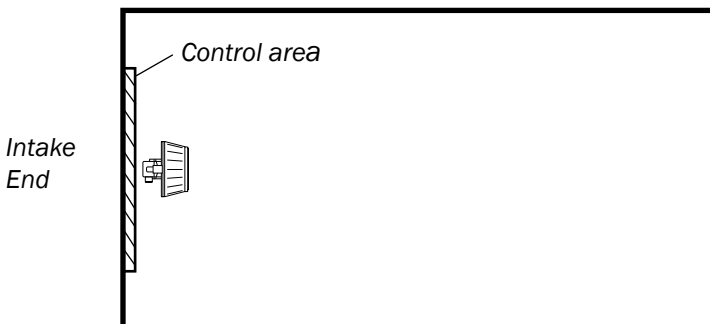
Mount the fan at the intake end of a ventilated structure. In structures with mild to no ventilation, propel fog the length of the structure. In large structures, use of an oscillator greatly enhances coverage and circulation.

DO NOT: Mount the fan near the ground or underneath tables or benches.

DO NOT: Propel the fog into the wind (direction of airflow).

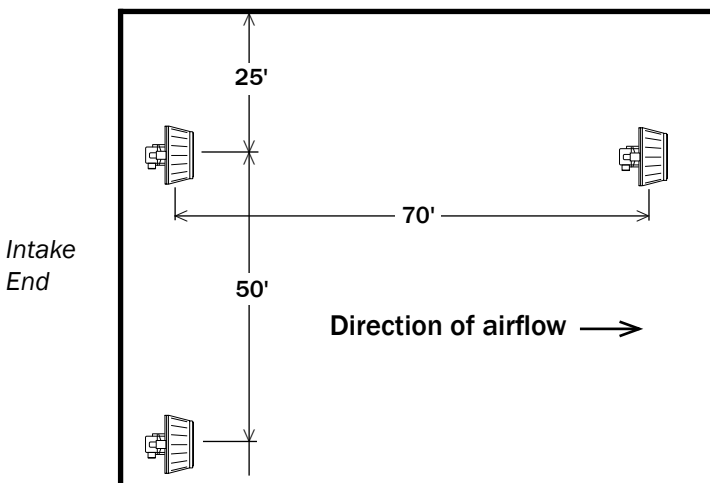
DO NOT: Cramp the fan in tight quarters or skinny aisle ways.

Layout Guidelines



Small structures

In applications requiring only one unit, mount the fan high, centered along one wall, with fog propelling horizontally along the length of the structure. If there is ventilation, mount the fan at the intake end of the structure. Generally, no oscillation is necessary unless the width of the structure is greater than 20'. The best location for automated controls is behind the fan, at an easily accessible level for monitoring.



Large structures, Force ventilation

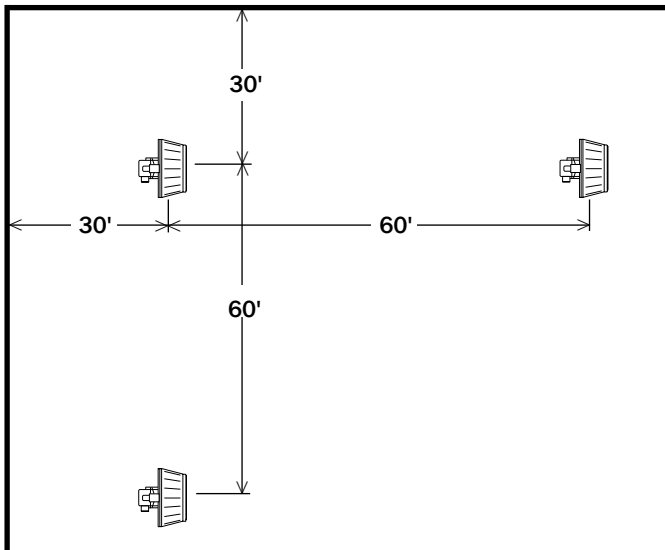
In large structures equipped with forced ventilation, the first fan row should be within a few feet of the intake end, with first fan:

- centered along the end wall (or)
- placed no more than 25' from the side wall, with additional fans in the row equally spaced no more than 50' apart.

Lengthwise, the fans should be equally spaced no farther than 70' apart. All fans should be equipped with oscillation, sweeping 180° in the direction of the airflow.

AVERAGE DISTANCE COVERAGE CAPABILITY - 50 to 85 feet

PLACEMENT (CONT.)

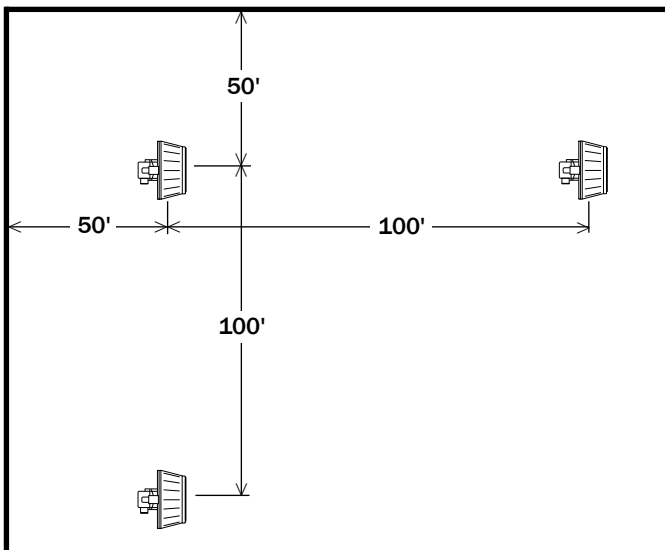


Large structures, Natural ventilation

In large structures with natural ventilation, propel fog the length of the structure with the first fan row no more than 30' from the end wall. The first fan should be:

- centered along the end wall (or)
- placed no more than 30' from the side wall, with additional fans in the row equally spaced no farther than 60' apart.

Lengthwise, the fans should be equally spaced and no more than 60' apart. All fans should be equipped with oscillation, sweeping 360°.



Large structures, Closed or minimum ventilation

In closed structures with little to no ventilation, propel fog the length of the structure with the first fan row no more than 50' from the end wall. The first fan should either be:

- centered along the end wall (or)
- placed no more than 50' from the side wall, with additional fans in the row equally spaced no farther than 100' apart.

Lengthwise, the fans should be equally spaced and no farther than 100' apart. All fans should be equipped with oscillation, sweeping 360°.

INSTALLATION

⚠ DANGER

USING A LADDER TO HANG THE TURBO XE IS DANGEROUS. USE PROPER LIFTING EQUIPMENT LIKE A SCISSOR LIFT.



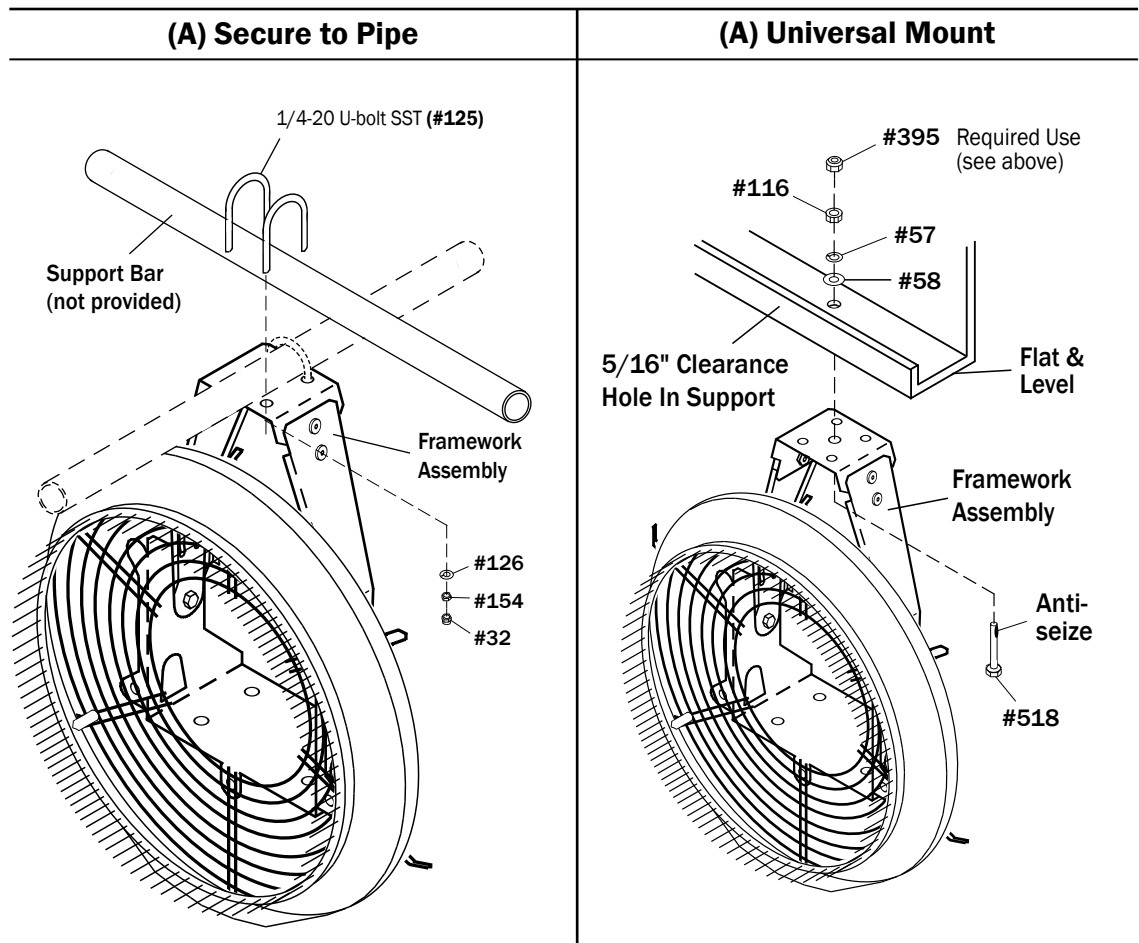
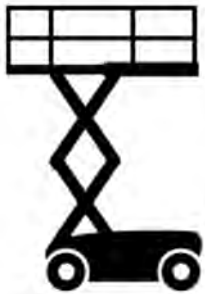
Attach Framework Assembly

Securing To Pipe - Use U-bolts provided. Tighten securely. The second nylon lock-nut (Part #32) should be tightened on top of the first nut to provide added protection.

Universal Mount - The support should be secure, level and flat. Drill a 5/16" clearance hole. It is VERY IMPORTANT to tighten the second nylon lock-nut (Part #395) on top of the first nut (Part #116). Jam the two together for a secure mount.

Note: Anti-seize applied to the bolt is to prevent the stainless steel from galling.

Fig. 2

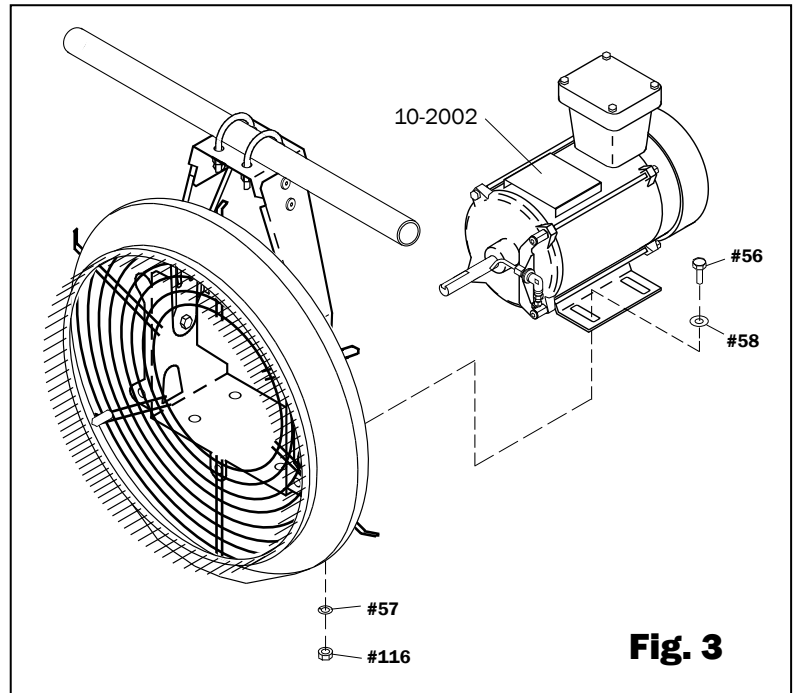


INSTALLING MOTOR & WATER TUBING

Install Motor

Slide the motor onto the motor support plate of the framework assembly (as shown in **Fig. 3**). Secure the base of the motor to the motor support plate using 5/16" hardware provided (Part #56, 57, 58, 116) four each.

Tighten hardware by hand at this stage, as final tightening will follow the blade adjustment procedure.



Install Tubing

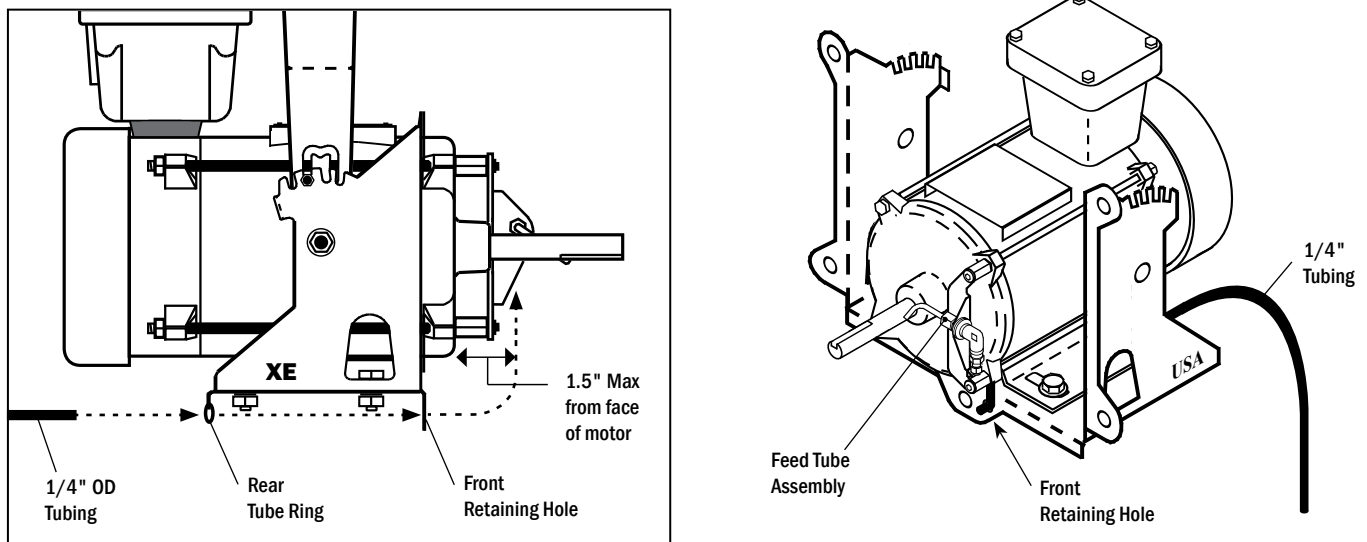
Route the 1/4" OD tubing provided through the rear tubing ring and through the front retaining hole and into the 1/4" tube fitting at the Feed Tube Assembly (see **Fig. 4**).

Tighten only about 1/2 turn past finger tight. Using 7/16" wrench.

Optional 3/8" tubing, at the front, use a square in the rear guard directly below centre frame bolt.

IMPORTANT: Keep tubing routed close to the motor, within 1.5" to maintain proper clearance from the fan blade.

Fig. 4



INSTALLING BLADE ASSEMBLY

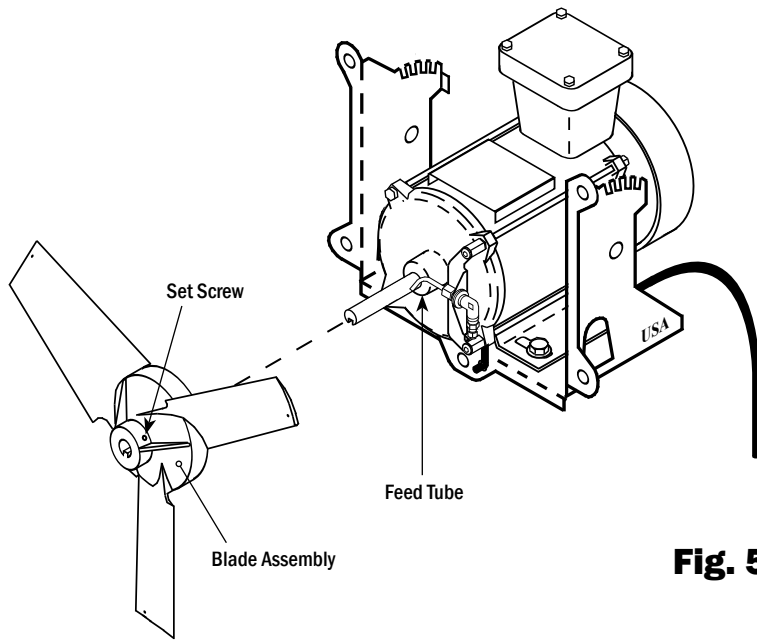
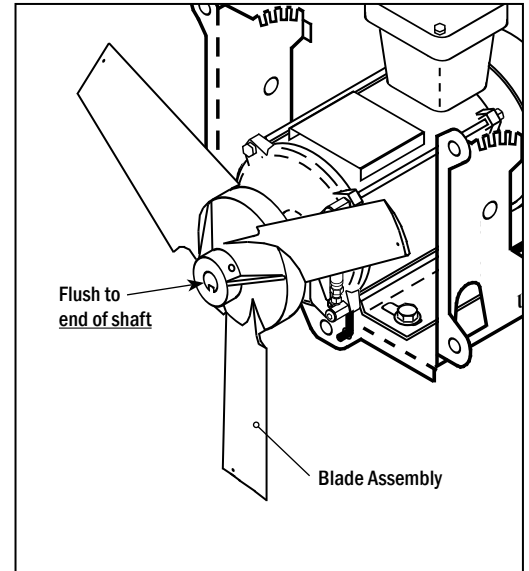


Fig. 5



Install Blade Assembly

Line up the key way and slide the Blade Assembly onto the motor shaft until flush to the end of shaft.

NOTE: Make sure the Feed Tube has clearance and does not touch while it enters the reservoir in back of the Blade Assembly.

Using 3/32" allen wrench (provided) secure two (2) set screws. (see Fig. 5)



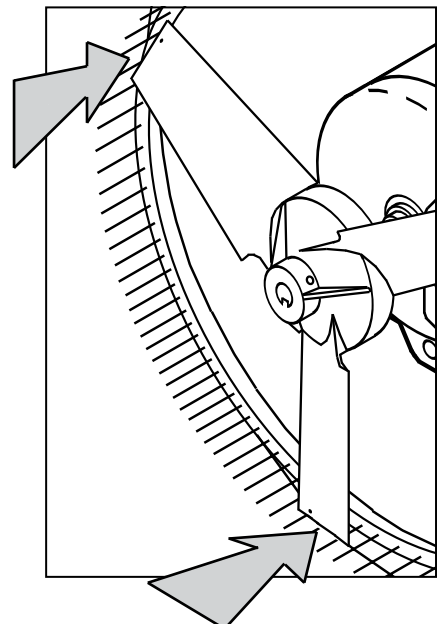
ENSURE THE BLADE ASSEMBLY IS CENTERED INSIDE THE PINNED VENTURI. ADJUST MOTOR IF NECESSARY.

Check Blade Clearance & Secure Motor

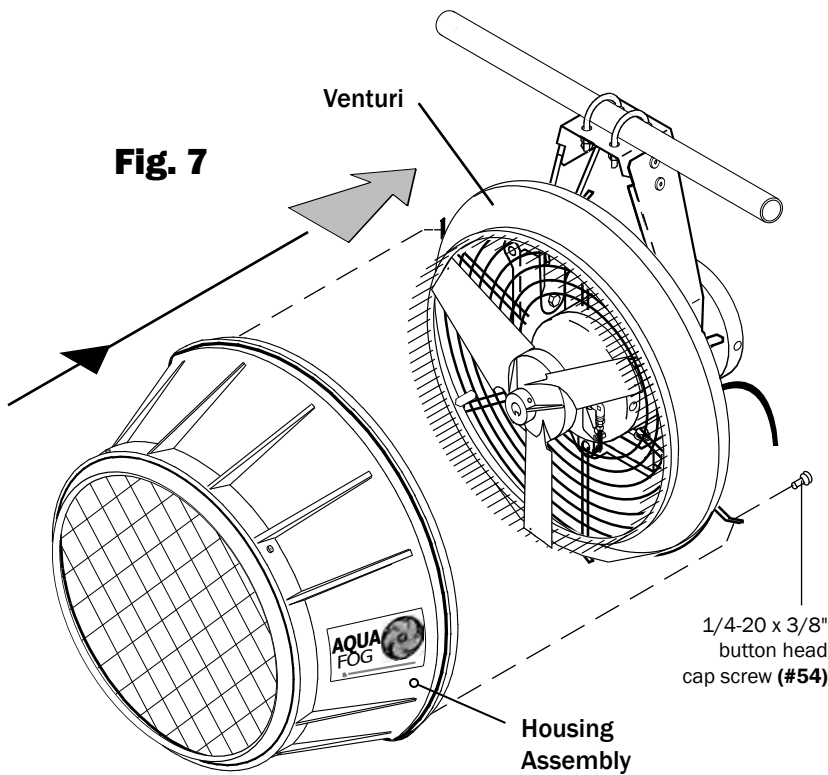
Once the blade assembly is secured to the motor, rotate it by hand to check for a centered circular rotation and clearance greater than 1/8"

If a horizontal adjustment is needed, loosen the four (4) motor bolts (Part #56) securing the motor to the frame assembly and shift motor from side to side until centered. Tighten bolts securely.

Fig. 6



HOUSING RE-ATTACHMENT & PIVOT



Attaching Housing

Locate the six cap screws set aside during preparation. (Refer to Fig. 1)

Reposition the housing over the venturi starting with the lower half of the housing. **Tilt housing downward** to clear the lower lip of the venturi. **Raise the rear edge of the housing between the venturi and rear guard.** (See Fig. 7)

Using the 5/32" allen wrench (provided) secure housing to the rear guard.

Pivot Locking System

After securing the hanging unit, a pivot adjustment can be made to direct the fogging output to a desired location.

This unit has a positive pivot locking system with four available positions.

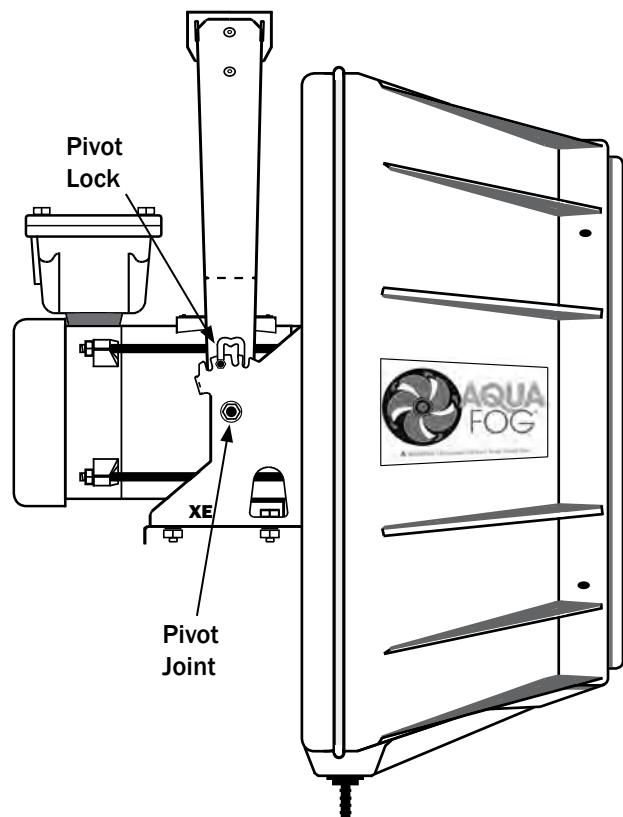
- ~ 5° up
- ~ Horizontal
- ~ 7° down
- ~ 14° down

To Make an Adjustment

Balance the weight of the unit and lift one pivot lock up and rest it in the middle of the "M". While supporting the unit lift the second lock up.

Adjust unit to desired angle. Re-engage both locks into the closest available slot.

NOTE: Use both legs of the "M" to get availability of all four pivot angles.



CONNECTING UTILITIES

⚠ WARNING

ALL WIRING AND ELECTRICAL CONNECTIONS MUST BE PERFORMED BY A QUALIFIED ELECTRICIAN. INSTALLATION MUST BE IN ACCORDANCE WITH LOCAL AND NATIONAL CODES.



Power Connection

The most common way to connect an explosion-proof unit is to use threaded conduit along with thread sealing compound. However, if mobility is needed, optional flexible hazardous duty power line and male plug are available separately. (Refer to **Fig. 10** or contact the manufacturer)

For information on electrical wire guage size. (See **Fig. 11**)

Fig. 11

POWER SUPPLY (LOAD)	
# of Units & Voltage	1/2 HP
(1) Turbo XE 115V	15 A Circuit
(2) Turbo XE 115V	30 A Circuit
(1) Turbo XE 230V	15 A Circuit
(2) Turbo XE 230V	15 A Circuit

⚠ WARNING

GROUND FAULT RECEPTACLE(S) IS RECOMMENDED AND MAY BE REQUIRED BY LOCAL AND/OR NATIONAL CODE.



NOTE: Turbo XE motors are dual voltage and can operate either on high or low voltage. For connection changes, refer to the electrical schematic located on the motor.

**PROPERLY
GROUND ALL
CONNECTIONS**

Harness Utilities Lines

Using the wire ties provided, secure the water line tubing to the motor power cord. (Refer to **Fig. 10**)

Flowmeter

The flowmeter panel is equipped with a 1/4" FNPT thread at the base of the inline strainer and can be connected to a water supply in various ways. (See **Fig. 10**)

For a garden hose connection, a female swivel water hose connector assembly is sold separately (Part #W-1). Flush garden hose before connecting.

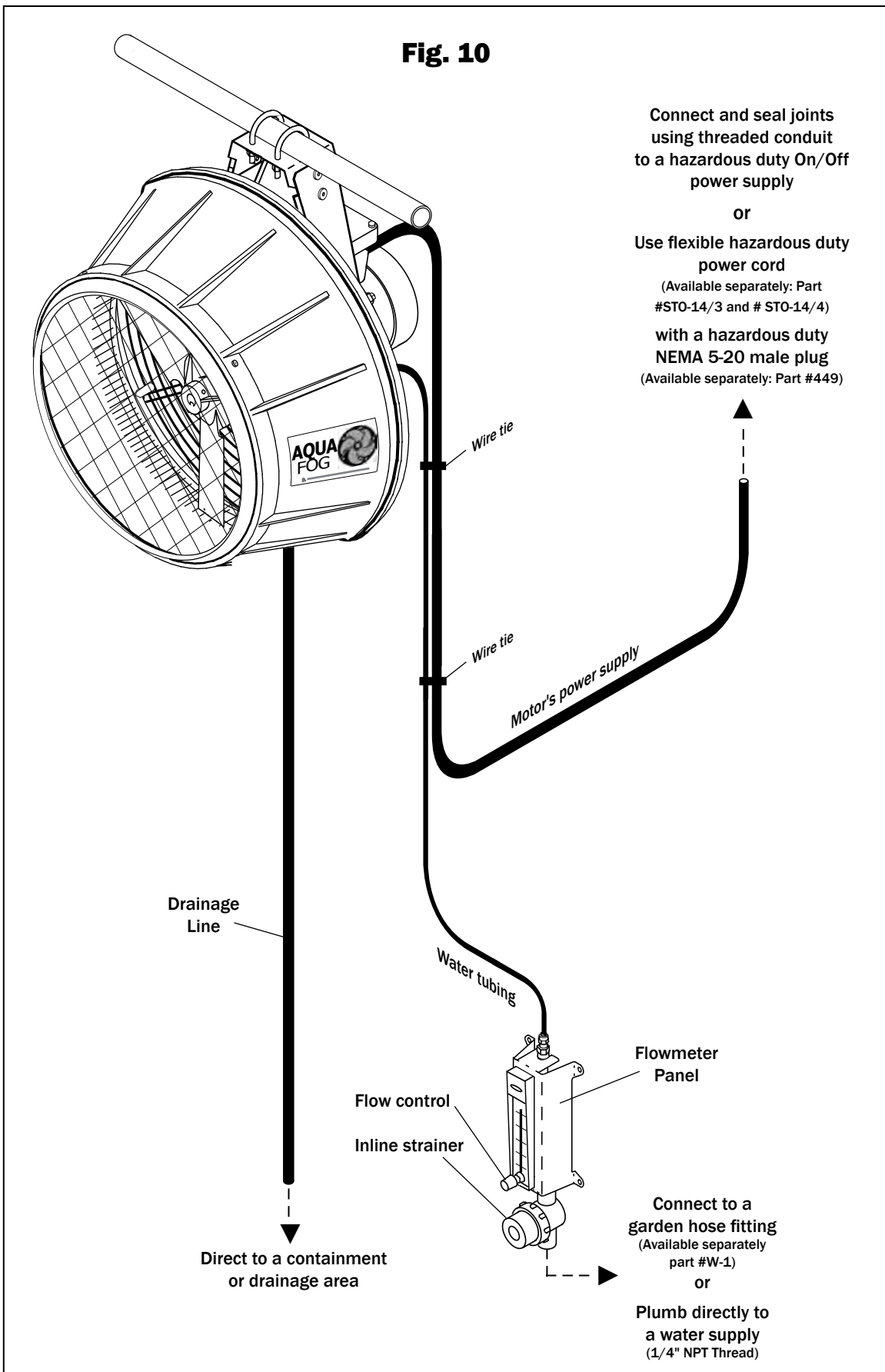
The flowmeter panel can also be connected directly to a water source using a standard male 1/4" NPT fitting.

Drainage Line

Attach the 1/2" drain tubing (push fit) to the drain fitting (Part# 8) at bottom of housing.

ASSEMBLY DETAIL

Fig. 10



OPERATION

⚠ DANGER

BEFORE TESTING FAN, MAKE SURE ALL OBJECTS ARE OUT OF THE ROTATION PATH OF THE FAN BLADES. HIGH-SPEED WARNING. KEEP HANDS CLEAR! MAKE SURE GUARDS ARE INSTALLED OR UNIT IS OUT OF REACH.



BUMP START Turbo XE and check for proper fan blade rotation (clockwise if looking at front of unit). If incorrect, find rotation connection changes on the motor's electrical schematic.

⚠ CAUTION

CAREFULLY LISTEN FOR UNUSUAL NOISE OR VIBRATION.

Turn on the unit and listen for any possible abnormalities, such as the blades rubbing against the venturi. Make re-adjustments if necessary. If no problems are detected, slowly turn the flowmeter control knob counter-clockwise until the desired output is achieved. (See **Fig. 14**) The fluid level ball should move up and down as adjustments are made.

Note: If desired, the unit can also be operated dry for continuous periods.

Flowmeter Control

⚠ NOTICE

CLOGGING OCCURS MORE FREQUENTLY WHEN OPERATING AT LOW FLOW RATES.

The volume of fog can be regulated by adjusting the flowmeter.

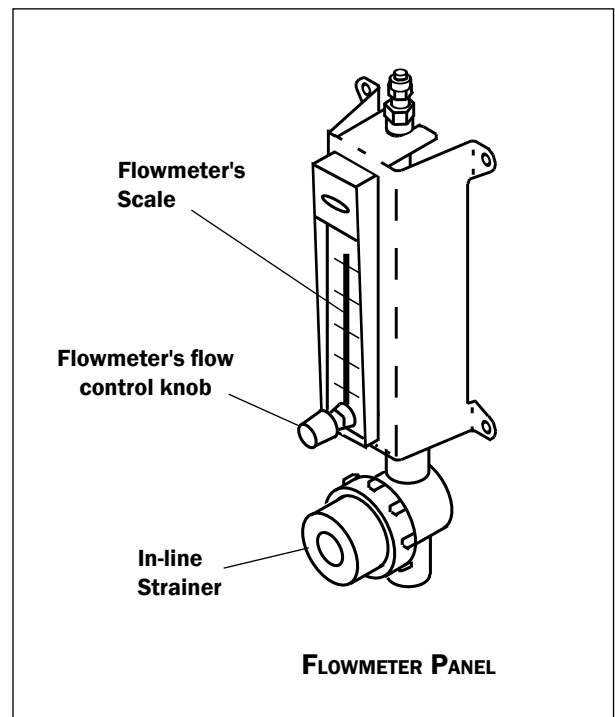
Particle size is smaller at lower outputs, so it is better to operate the fan at a lower output for a longer period of time.

Flowmeters maintain a more reliable flow rate if operated high on their flow scale.

If your desired output volume is close to the bottom of the scale, it may be beneficial to purchase a smaller flowmeter or install a 5 micron sediment filter.

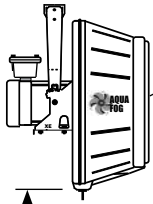
At the base of the flowmeter is an in-line strainer (Part #71) with a removable cap. Periodically check inside and flush any sediment from the screen.

Fig. 14

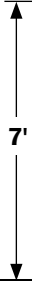


COMMON SETUPS

7 FEET OR HIGHER



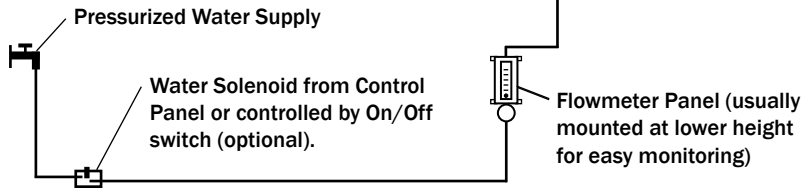
Removal of the front guard will produce drier results, especially when operating at higher fogging outputs.



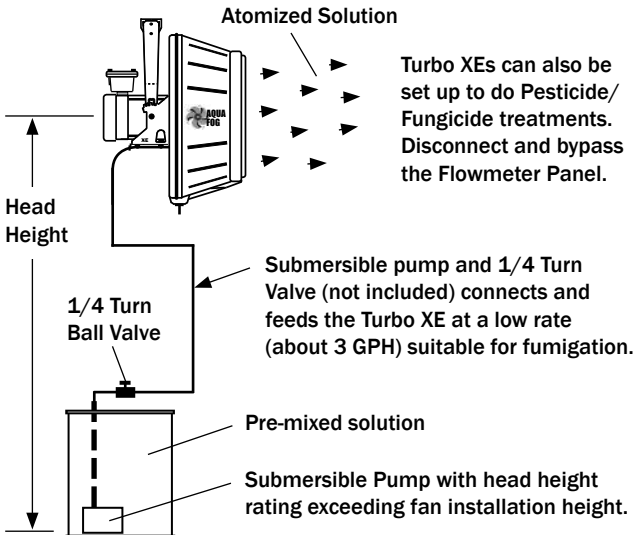
Turbo XEs perform best when mounted up high. In addition, OSHA regulations allow fans to be unguarded if mounted 7 feet above working height.

WATER FEED (ordinary 30 - 70 PSI)

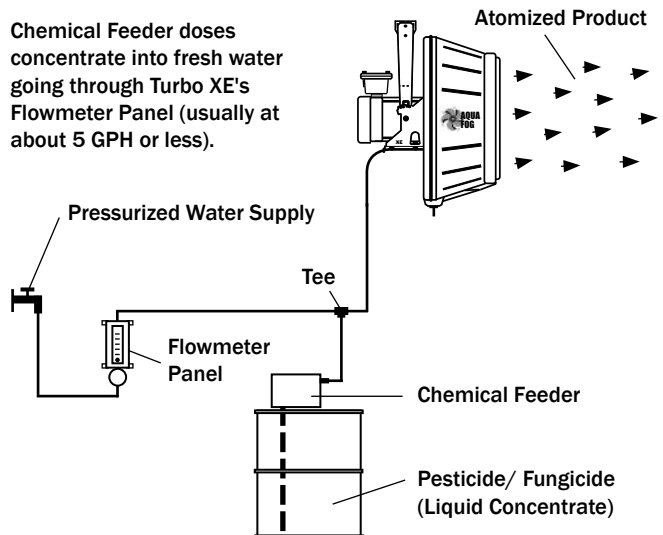
Turbo XEs are also usually connected to automated control panels with water solenoids. However, if planning to operate the unit manually (no control) and with a limited drainage area, adding a water solenoid will provide security. During power outages, the flow of water will shut off along with the unit.



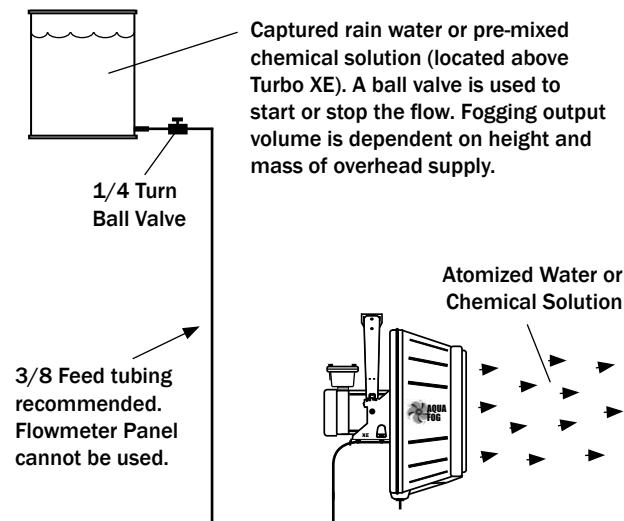
SUBMERSIBLE PUMP FEED



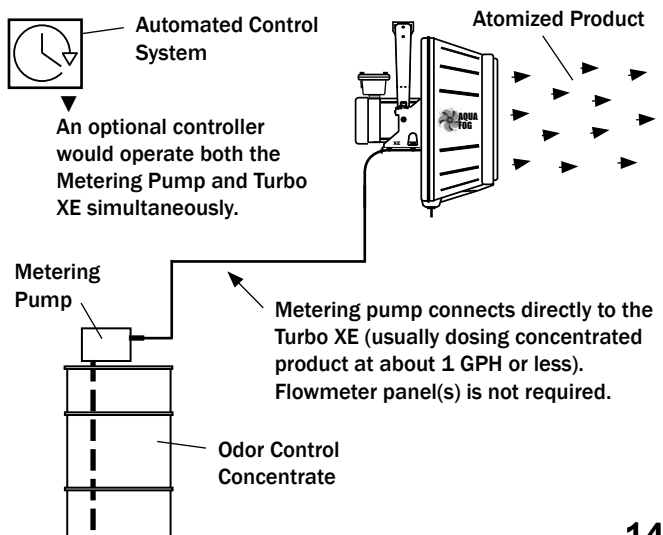
CHEMICAL INJECTION FEED



GRAVITY FEED



METERING PUMP FEED



TROUBLESHOOTING



WARNING

**BEFORE INSPECTION AND /OR SERVICE,
DISCONNECT AND LOCK OUT POWER SOURCE.**

1. Fan Does Not Operate

- A.) Check voltage requirements on unit and electrical supply. Check for live receptacle, plug, power line and toggle switch.
- B.) Look for any loose connections inside the main motor's junction box.

2. Unusual Noise

Squealing at start-up or during operation may be caused by the motor shaft's bearing seal. Spray with lubricant at the front of the motor where the shaft exits the motor's frame.

3. No Fog

- A.) If the flowmeter is closed, turn the flow control knob counter-clockwise to increase fogging output. Visually check for sediment clogs within the flowmeter's body and remove inline strainer's cap to flush any debris from screen. Refer to the maintenance section for flowmeter cleaning instructions.
- B.) If the fan is automated and the water is supplied through a water solenoid, check to see if the solenoid is electrically activated by the control and check the solenoid for clogs.
- C.) If after checking both the flowmeter and solenoid, you still do not have any fog, begin a process of elimination starting with the water source. Disconnect and reconnect your plumbing before and after each device to check for any obstructions.

4. Poor Quality Fog

- A.) The liquid feed tube (Part #575) may not be properly positioned. The feed tube is located behind the blade assembly and should be inserted approximately 1/4" into the slot between the motor shaft and the stainless steel face plate. Centered in the slot area and aimed slightly downward, free from any rotational contact.
- B.) Liquid not traveling through the fan blades. This can be diagnosed by viewing the back of a blade assembly during operation (using a bright flashlight). If system is clogged, liquid can be seen spinning out of the slot area between the motor shaft and stainless steel face plate (Part #573). If confirmed, replace fan blade assembly (Part #571-assy). Cleaning the internal passageways of a blade assembly is feasible with the aid of some speciality tools.

5. Fog Slowly Decreases

If fog output gradually decreases over time, sediment is slowly clogging the flowmeter's needle valve. Try operating at a higher output or cleaning the inline strainer (Part #71). If the problem persists, a smaller size flowmeter may be required. Flowmeters perform best when set half way up the scale or higher.

TROUBLESHOOTING (CONT.)



**BEFORE INSPECTION AND /OR SERVICE,
DISCONNECT AND LOCK OUT POWER SOURCE.**



6. Fan Motor Becomes Excessively Hot

The main fan motor normally becomes very hot to the touch. However, if it gets so hot that it begins to smell or smoke or the power cord becomes hot, discontinue operation and consult an electrician to properly evaluate the problem.

7. Electrical Breaker Tripping

If the electrical breaker trips off, there is an overload in the system and there may be a serious motor problem. Turn off all other devices connected to the same circuit. If the breaker continues to trip, the motor is probably in need of repair. Consult an electrician for evaluation.

8. Fan and/or Motor Vibration

- A.) If the fan unit begins vibrating severely, first be sure the blade assembly is fully engaged and securely tightened on the motor shaft. Next, inspect the blade assembly, particularly the ends of the blades. Look for wear or cracks - replace as necessary. Look for deposits of calcium or minerals - clean and remove mineral deposits and/or calcium.
- B.) If the vibration seems to be coming from the motor, first check that the motor mounting hardware is securely tightened. If hardware is secure, remove the blade assembly and operate the motor without the blade. If vibration continues, the motor has a serious mechanical problem and probably needs to be replaced.

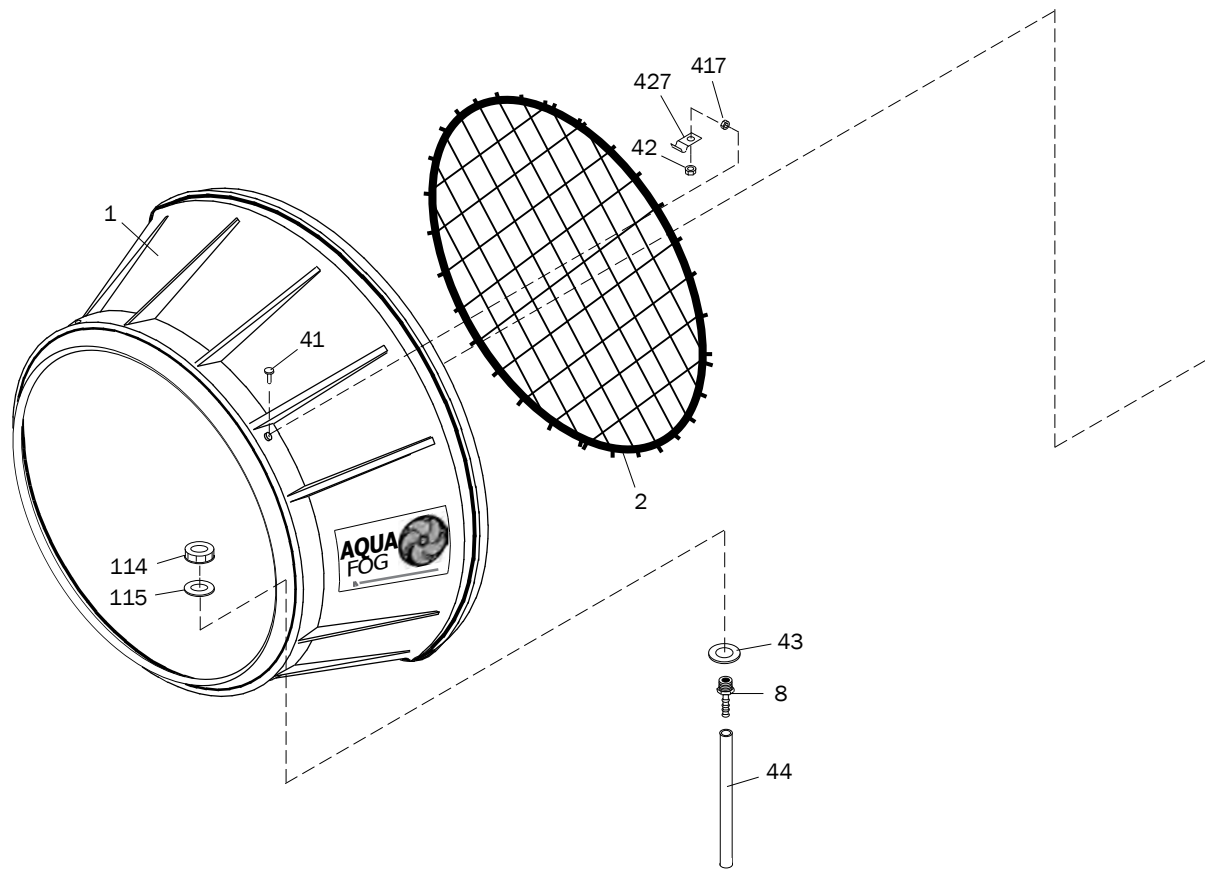
9. Liquid Spilling From Fan Housing

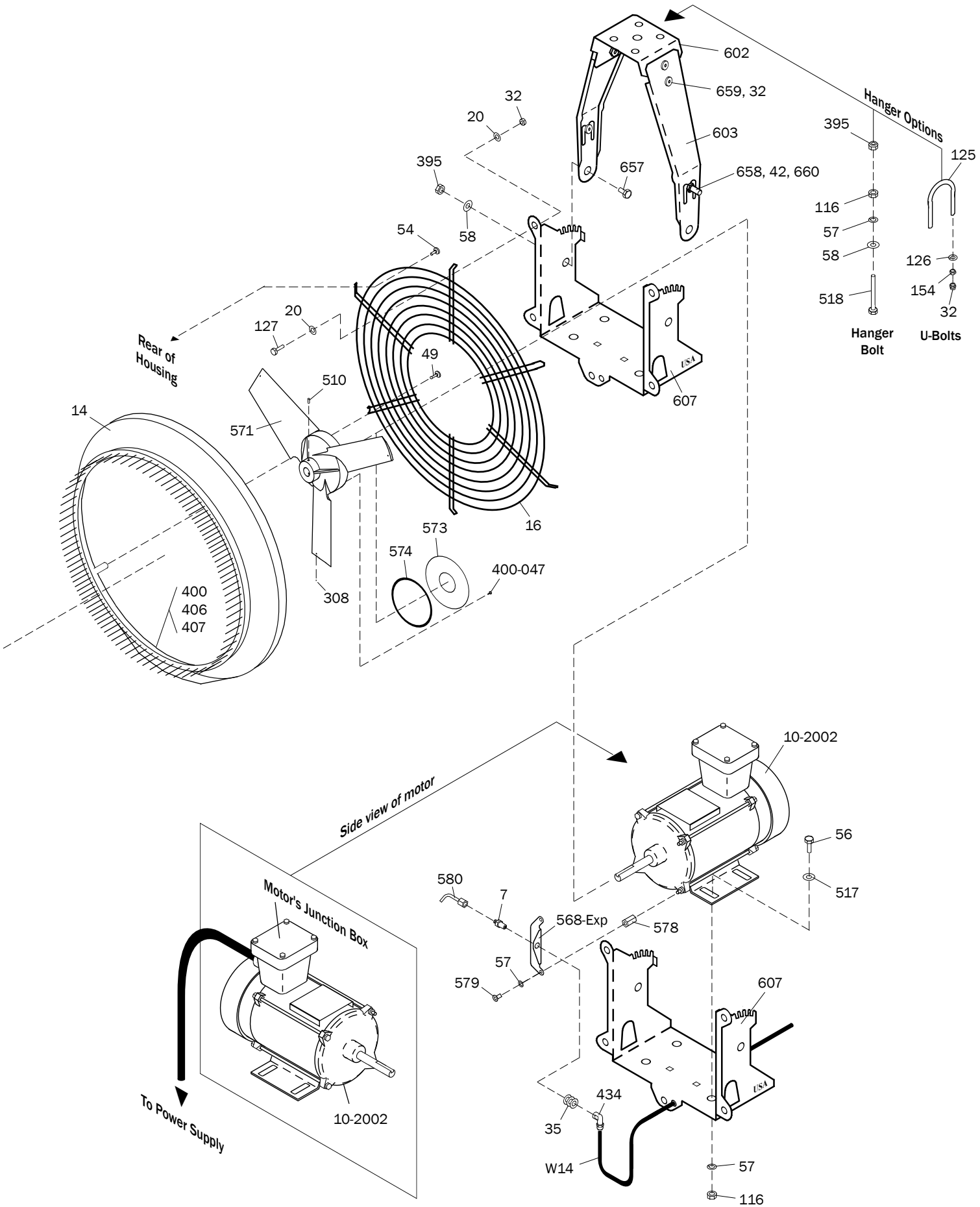
If liquid builds up inside the housing, the drain tube is clogged. Clean debris from around the drain inside the housing and flush drain tube.

10. Plumbing Leaks

Un-thread fittings and clean both the male and female threads. Apply new thread tape (approximately 2-3 wraps) and reconnect. If a tube fitting is leaking, tighten the cap - no more than 1 turn past finger tightened. If the leak persists, replace the tube fitting insert.

TURBO XE EXPLODED VIEW

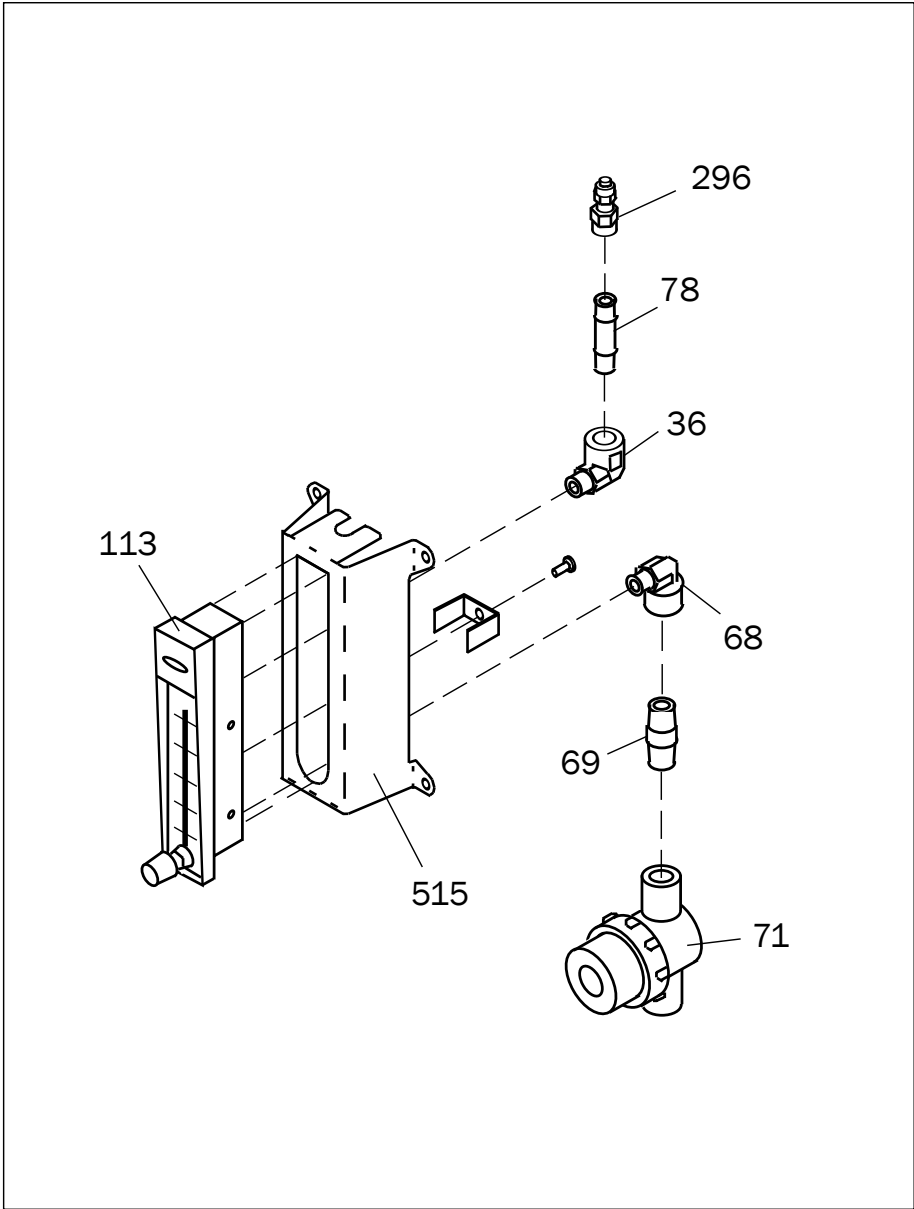




Standard 1/4" O.D Tubing Line
 Optional 3/8" fittings 288 & 294

FLOWMETER PANEL EXPLODED VIEW

COMPONENTS



entire panel is also available, part# XE-FP (must specify flowmeter size)

PART IDENTIFICATION LIST

ID #	Description	Qty per Unit	ID #	Description	Qty per Unit
<u>XE-EXP COMPONENTS</u>			<u>FLOWMETER COMPONENTS</u>		
1	Housing	1			
2	Safety guard	1	36	1/8" NPT street elbow	
7	Liquid feed tube fitting	1	1		
8	Drain fitting	1	68	1/8" M x 1/4" F NPT elbow	1
10-2002	Explosion-Proof motor 115V	1	69	1/4" NPT x 1 1/2" nipple	1
14	Pinned venturi assembly	1	71	Inline strainer 1/4" female NPT	1
16	Rear guard	1	78	1/8 x 1-1/2" NPT nipple	1
20	1/4" Thick washer	10	113	Flowmeter	1
32	1/4-20 nylon stop nut SST	13	296	1/8" NPT-F x 1/4 tube fitting	1
35	SST washer for feed tube fitting	3	515	SST Panel	1
41	10-24 x 5/8" Phillips RH SST	4			
42	10-24 nylon stop nut SST	6			
43	11/16 x 1 1/4" flat washer SST	1			
44	Drain tubing	1			
49	10-24 x 1/2" phillips truss head SST	4			
54	1/4-20 x 3/8" button head cap screw	6			
56	5/16-18 x 3/4" HH bolt SST	4			
57	5/16" lock washer SST	7			
58	5/16" flat washer SST	10			
114	Drain fitting nut	1			
115	Drain gasket	1			
116	5/16-18 finish nut	6			
125	1/4-20 U-bolt SST	2			
126	1/4" lockwasher SST	4			
127	1/4-20 x 7/8" HH bolt SST	5			
154	1/4-20 finish nut SST	4			
288	1/8" NPT Elbow	1			
294	1/8" M x 2/8" tube fitting	1			
311	1/4-20 x 3/8" socket set screw SST	2			
395	5/16-18 nylon stop nut SST	3			
400-047	Reservoir plate SST screw	8			
417	10-24 Machine Nut SST	4			
427	Safety guard clip	4			
434	1/8" x 1/4" tube fitting elbow	1			
510	#10 Set screw	2			
518	5/16-18 x 2-3/4" HH bolt SST	1			
568-Exp	XE Feed tube support SST	1			
573	XE Rear-feed face plate SST	1			
574	XE Rear-feed o-ring	1			
578	5/16 support standoff	2			
579	5/16 button head cap screw SST	2			
602	XE Hanger Top SST	1			
603	XE Hanger Side SST	2			
607	XE Motor Plate SST	1			
657	5/16-18 x 5/8" HH bolt SST	2			
658	10-24 x 1" phillips truss MS SST	2			
659	1/4-20 x 5/8" button HCS SST	4			
660	Pivot, vinyl cap	2			
661	1/8" SST blind rivet	4			

MAINTENANCE



WARNING

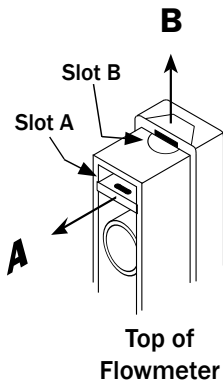
DISCONNECT AND LOCK OUT POWER SOURCE BEFORE SERVICING

1. Inspect Blade Assembly

Clean the the exterior of the blades about once a year or whenever a film of calcium or mineral deposits is visible. While cleaning, inspect for irregularities or hairline cracks and replace as necessary.

2. Cleaning Flowmeter

To expose the inside of the flowmeter, use a small screwdriver to remove the retaining key by using slot **A**. Next, pull the retainer cap straight up by using slot **B**. NOTE: After cap is removed, be careful not to lose the internal float ball when handling the flowmeter.



2. Explosion-Proof Motor

The main motor is a permanently sealed and lubricated motor. Any disassembly for service or repair will void warranty and could eliminate the explosion-proof properties of the motor. If a motor should fail, a replacement motor will be required.

4. Clean Strainer

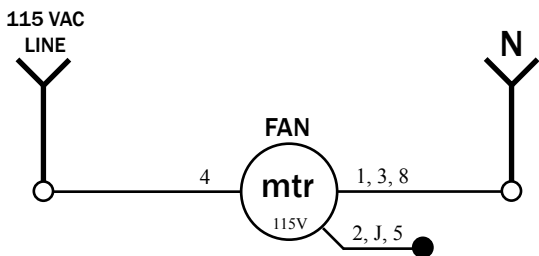
Periodically clean the inline strainer (Part #71) at the base of the flowmeter by removing cap and internal screen and flushing any sediment from screen.

5. Storage

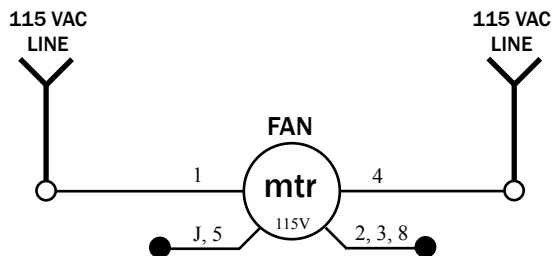
Protect your Aquafog from winter damage. Expansion due to freezing can burst fittings, solenoids and flowmeters. If storing unit in below freezing temperatures, be sure all fluid is drained from the unit. Damage due to freezing is not covered under the warranty.

ELECTRICAL SCHEMATICS

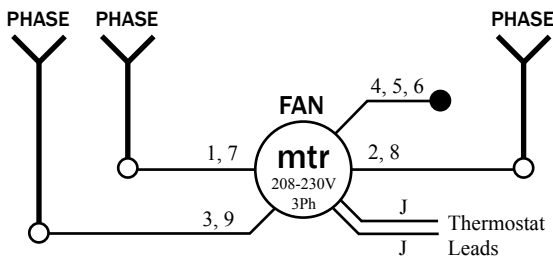
115V 1Ph 60Hz



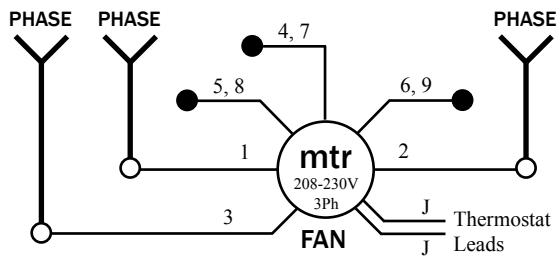
230V 1Ph 60Hz



208-230V 3Ph 60Hz



460V 3Ph 60Hz



Electrical Schematic Code Desination

- Denotes Line Connection
- Denotes Wire Nut Termination

Note: All green wires go to ground



ONE YEAR LIMITED WARRANTY

AquaFog and accessories are warranted to the original purchaser against defects in material and workmanship under normal use for one full year from date of purchase. Any part determined to be defective and returned to the manufacturer, shipping cost prepaid, will be repaired or replaced at Jaybird Manufacturing, Inc.'s discretion without charge. Proof of purchase date and an explanation of the problem or complaint must accompany the returned portion of the machine.

Jaybird Manufacturing, Inc. reserves the right to verify the legitimacy of claimed defects. The provisions of this warranty do not apply to damage resulting from direct or indirect misuse, negligence, accident, lack of maintenance, or unauthorized repairs or alterations which affect the machine's performance or reliability.

LIMITATIONS OF LIABILITY. TO THE EXTENT ALLOWABLE UNDER APPLICABLE LAW, JAYBIRD MANUFACTURING, INC.'S LIABILITY FOR DEATH, INJURIES TO PERSONS OR PROPERTY, OR FOR CONSEQUENTIAL OR INCIDENTAL DAMAGES ARISING FROM THE USE OF OUR EQUIPMENT IS EXPRESSLY DISCLAIMED. JAYBIRD MANUFACTURING, INC.'S LIABILITY IN ALL EVENTS IS LIMITED TO, AND SHALL NOT EXCEED, THE PURCHASE PRICE PAID. NO OTHER WARRANTY, EXPRESSED OR IMPLIED, IS AUTHORIZED, INCLUDING WARRANTIES OF MERCHANTABILITY AND FITNESS FOR A PARTICULAR PURPOSE.

This warranty gives you specific legal rights, and you may also have other rights, which vary from state to state.



Jaybird Manufacturing, Inc.

135 Summer Lane

Centre Hall, PA 16828

Parts & Service: 1.814.364.1800

Website: www.jaybird-mfg.com