



ML900-24

POWER INVERTER
ONDULEUR DE COURANT

110 VOLT

USER'S MANUAL

PLEASE READ THIS MANUAL CAREFULLY BEFORE OPERATION. S.V.P., LIRE CE MANUEL AVEC SOIN AVANT UTILISATION
Copyright 2010 Bright Manufacturing, LLC No part of this document may be copied without written permission.

Welcome

Please read this manual thoroughly before installing and operating your new PowerBright™ Power Inverter. This manual contains information you need to obtain the performance required for your application. Keep this manual for future reference.

About PowerBright™ Inverters

PowerBright™, an innovator in portable inverter design, has developed a new line of super-efficient power inverters with the highest surge capability in the industry. These extremely advanced, microprocessor controlled units run cooler and more reliable than any in their class. This unit has the highest efficiency available (up to 90%), so that longer run times and extended battery life are achieved.

This PowerBright™ Inverter converts low voltage, direct current (DC) to 110 volt modified sine wave (MSW) alternating current (AC). The inverter draws power from 24V, deep-cycle batteries such as those used for marine, golf cart, and fork-lift or from other high current 24V sources.

A Higher Wattage Inverter May Be Required

To determine whether the PowerBright™ ML900-24 will operate a particular appliance or a combination of appliances, run a test. All inverters are designed to automatically shut down in the event of a power overload. This protection feature prevents damage to the unit while testing appliances with combined wattages in the 900 watt range. Turn on the highest wattage appliance first then other appliances. If an appliance combination in the 900 watt range will not operate properly, then it is likely that this PowerBright™ inverter does not have the required capacity to operate the appliance in question.

WARNINGS, CAUTIONS AND NOTES

It's very important that any operator and installer of this inverter read and follow all **WARNINGS, CAUTIONS AND NOTES** and all installation and operation instructions. In particular, comply with **WARNINGS** (possibility of serious injury or death), **CAUTIONS** (possibility of damage to the inverter and/or other equipment), and **NOTES** (included to assist you in achieving the maximum performance and longest working life from this advanced-design inverter).



WARNINGS: INVERTER OUTPUT

This is a heavy-duty device that produces voltages similar to commercial AC power.

- Danger of shock or electrocution - treat inverter output the same as commercial AC power.
- Do not use the inverter near flammable materials or in any locations that may accumulate flammable fumes or gases. This is an electrical device that can briefly spark when electrical connections are made or broken.
- Do not allow water or other liquids to contact the inverter.
- Do not use appliances with damaged or wet cords.



CAUTIONS: INVERTER OPERATING ENVIROMENT

Surrounding air temperature should be between -20°C and 40°C – ideally between 15°C and 25°C (60 - 80°F).

- Keep the inverter away from direct sunlight, if at all possible.
- Keep the area surrounding the inverter clear to ensure free air circulation around the unit. Do not place items on or over the inverter during operation. The unit will shut down if the internal temperature gets too hot. Restart the inverter after it cools.
- This PowerBright™ inverter will only operate from a 24V power source. Do not attempt to connect the inverter to any other power source, including any AC power source
- Do not reverse DC input polarity – this will void the warranty.



APPLIANCE CAUTIONS

Do NOT plug in battery chargers for cordless power tools if the charger carries a warning that dangerous voltages are present at the battery terminals.

- Certain chargers for small nickel-cadmium or nickel-metal-hydride batteries can be damaged if powered by this inverter. Two types of appliances are susceptible to damage: Small, battery-operated appliances such as flashlights, cordless razors and toothbrushes that plug directly into an AC receptacle.
- DO Not use this inverter with the above two types of equipment.
- The majority of portable appliances do not have this problem. Most portable appliances use separate transformers or chargers

that plug into AC receptacles to supply a low-voltage DC or AC output to the appliance.

- Some fans with synchronous motors may slightly increase in speed (RPM) when powered by the inverter. This is not harmful to the fan or to the inverter.
- Route appliance cords and extension cords to prevent accidental pinching, crushing, abrading and tripping people,
- Use safety approved extension cords rated at 15 amps or higher.
- GFCI devices may not work with modified sine wave (MSW) power.
- This inverter is not tested for use with medical equipment.
- This inverter is not tested for use in marine applications.
- In the event of a continuous audible alarm or automatic shut down, turn the inverter OFF immediately. Do not restart the inverter until the source of the problem has been identified and corrected.
- When attempting to power lead acid battery chargers, with modified sine wave, monitor the temperature of the battery charger for approximately 10 minutes. If the battery charger becomes abnormally warm, immediately disconnect it from the inverter.

Getting Started

When a motorized appliance or a tool turns on, there is an initial surge of power to start. This surge of power is referred to as the "starting load" or "peak load." Once started, the tool or appliance requires less power to operate. This is referred to as the "continuous load" in terms of power requirements. You will need to determine how much power your tool or appliance requires to start up (starting load) and it's continued running power requirements (continuous load).

Power consumption is rated in watts, or it can be calculated from amperes (amps). This information is usually stamped or printed on most appliances and equipment. If this information is not indicated on the appliance or equipment, check the owner's manual. For electrically sensitive equipment, contact the manufacturer to determine if the device you are using is compatible with modified sine wave AC.

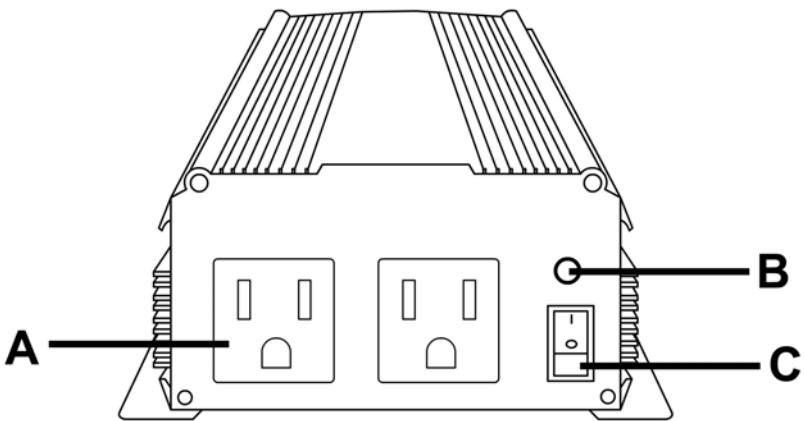
Multiply: **AC AMPS X 110** (AC voltage) = **WATTS**

This formula yields a close approximation of the continuous load of your appliance.

Multiply: **WATTS X 2** = Starting Load for most appliances

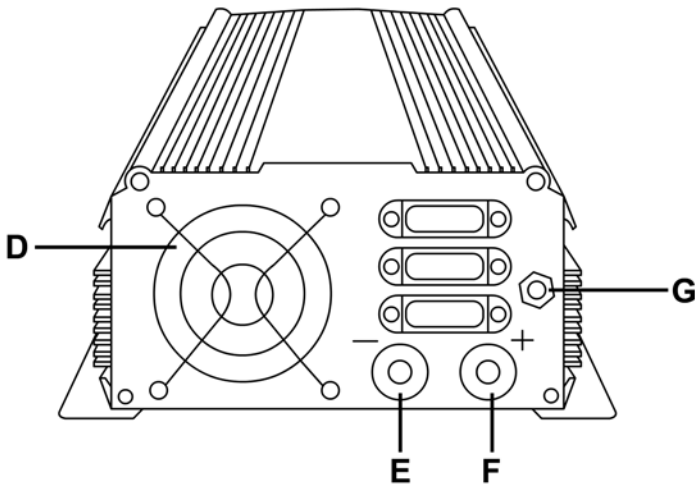
This formula yields a close approximation of the starting load of most appliances. Exceptions are motorized appliances such as pumps, freezers and air conditioners. These appliances can have startup loads of up to eight times the rated watts.

Front Panel ML900-24



- A. Two standard North American AC outlets, each rated at 15 Amps
- B. Overload LED Indicator. If continuous power draw of appliance(s) exceeds 900 watts, this light will turn ORANGE/RED and the inverter will automatically shut down. When this occurs, turn off the inverter and determine the cause of the overload before turning the inverter and the appliance back on.
- C. ON/OFF Switch. Turns the inverter circuits ON and OFF.

Rear Panel ML900-24



D. High-Speed Cooling Fans. When the temperature inside the inverter exceeds a preset limit, the Cooling Fan automatically turns on to cool the inverter. When the temperature reduces, the fan turns off.

E. Negative Power Input Terminal.

F. Positive Power Input Terminal.

G. Ground Terminal

Determining the DC Power Requirements

Powering multiple appliances from the high-power ML900-24 inverter requires a 24 volt battery. To calculate the approximate power in amps a 24 volt battery bank has to supply you need to know the current, or amps required for powering the continuous AC load. A shortcut method is to divide the continuous AC load wattage by 20. For example, the continuous AC load is 900 watts. The current (amps) is: $900/20$ or 45 amps at 24 VDC.

Add to the load any DC appliances that may be powered by the battery bank.

Sizing the Battery

To determine the minimum battery bank ampere-hour rating that you will need to operate appliances from the inverter, and any DC appliances powered by the battery bank. Follow these steps:

1. List the maximum wattage that the inverter has to provide (as above).
2. Estimate the number of hours the appliances will be in use between battery recharges. This will differ depending on appliances. As an example, a typical home-use coffeemaker draws 500 watts during its brew time of 5 minutes, it maintains the temperature of the pot at about 100 watts. Typical use of a microwave oven is only for a few minutes. Some longer operating time appliances are lamps, TV's, computers and refrigerator/freezers.
3. Determine the total watt-hours of energy needed. Then multiply the average power consumption in watts by the number of hours of run time. For example: 900 watts for 10 hours = 9000 watt hours. Using the 900 watts (or 45 Amps) for 10 hours example as above, then 45 amps is needed for 10 hours. This provides us with the basic amp-hours (AH) of battery that is required. Ten hours at 45 amps equals 450 Amp Hours (AH). This answer is just a beginning because there are other conditions that determine actual run time. These include:

- AC appliance load and time in use (basic Amp Hour)
- Cable gage and length (cable losses)
- Charge level of the batteries (between use, chargers have to be able to fully charge the batteries)
- Temperature of the batteries (colder batteries provide fewer amps)
- Age and condition of the batteries (older batteries lose capacity (amp hours)
- Compliance with turning off unnecessary AC and DC loads.

If there is any doubt about sizing the battery bank, it is safe to over estimate the amp hour requirements of the battery bank.

Note:

The type of batteries you use to power your high power inverter is important. Operating a high-power inverter will routinely discharge batteries and they will require frequent recharging. Batteries used to start engines are not designed to repeatedly charge and discharge. PowerBright™ recommends using “deep-cycle” or “marine” rated batteries.

Cable Gauges

When connecting the inverter to a battery bank use the thickest stranded insulated copper wire available, in the shortest length practical. If the inverter and the battery are positioned within four feet of each other, a minimum of # 8 gauge wire should be used to make the connections.

When the distance between inverter and battery bank is four to six feet, a minimum of #6 gauge wire is required.



WARNING: DANGER OF BATTERY EXPLOSION – INSTALL A FUSE

Battery Banks can deliver very high levels of current that can vaporize metal, start fires and cause explosions. PowerBright™ recommends installing one ANL type fuse and fuse holder close to the positive battery bank terminal. This fuse protects the batteries from accidental DC cable shorts, which can cause batteries to explode. ANL fuses and fuse holders are available at most marine supply stores.



CAUTIONS:

Loose connections can result in a severe decrease in voltage that can cause damage to cables and insulation.

- Failure to make correct polarity (Pos, Neg) connection between the inverter and the battery bank can result in blowing fuses in the inverter and can permanently damage the inverter. Damage caused by reversed polarity is not covered under the PowerBright™ warranty.
- Making the connection to the Positive terminal may cause a spark as a result of current flowing to charge capacitors within the inverter. This is a normal occurrence.
- Because of the possibility of sparking, however, it is extremely important that both the inverter and the 24 volt battery be positioned far from any possible source of flammable fumes or gases. Failure to heed this warning could result in fire or explosion.
- Operating the inverter without correctly grounding the unit may result in electrical shock.

Mounting the Inverter

Your PowerBright™ Inverter should not be mounted under the hood of a vehicle.

If installing in a vehicle, choose a dry, cool, ventilated area closest to the battery as practical. Before drilling any mounting holes, make sure that there are no wires, fuel lines, or tanks directly behind the surface to be drilled.

To mount the inverter:

1. Inverter ON/OFF switch must be in the OFF position.
2. The inverter should be mounted horizontally.
3. Position the inverter against the mounting surface and mark locations of the mounting screw openings.
4. Remove the inverter and drill four mounting holes.
5. Fasten the inverter to the mounting surface using corrosion-resistant fasteners sized #10 or larger.

Connecting the Inverter

This inverter has two DC cable connections, one positive and one negative. The order of steps in the following procedure minimizes the danger of sparking near the battery bank.

1. Prepare all cable set ends with ring terminals at the battery ends.
2. Install one fuse holder with fuse in the Pos cable close to the battery bank end.
3. Make sure the ON/OFF switch located on the front panel of the inverter is in the OFF (O) position.
4. Ensure all appliance cords or extension cords are disconnected from the inverter.
5. Connect an AWG 8 stranded insulated wire to the enclosure ground terminal and connect the free end of the wire to the vehicle's chassis or any other ground point.
6. Connect the unfused cable to the Negative (-) terminal of the battery bank.
7. Connect the Negative cable to the Inverter's Negative (-) terminal.
8. Insulate the end of cable to be connected to the Pos (+) Inverter terminal.
9. Connect the fused cable to the battery bank Pos (+) terminal.
10. Connect the Pos cable end to the Pos (+) inverter terminal.

NOTE: Sparking is normal for the first connection.

Make sure you have good secure connections – Do not over-tighten.

Operation

1. Turn On (I) the inverter. Make certain the Over Load LED is not lit.
2. Turn OFF (0) the inverter. The Over Load LED may briefly "blink" and the audible alarm may also sound a short "chirp." This is normal.
3. When you have confirmed that the appliance to be operated is turned off, plug an appliance cord into one of the four 110v AC Outlets on the front panel of the inverter.
4. Turn ON the inverter.
5. Turn the appliance on.
- 6 Plug in additional appliances and turn them on.

Notes:

- The audible alarm may make a momentary "chirp" when the inverter is turned OFF. This same alarm may also sound when the inverter is being connected to or disconnected from the 24 volt battery bank.
- When using an extension cord from the inverter to an appliance the extension cord should not be longer than 50 feet.

Television and Audio Suggestions

Although all PowerBright™ inverters are shielded and filtered to minimize signal interference, some interference with your television picture may be unavoidable, especially in weak signal areas.

However, here are some suggestions that may improve reception:

1. First, make sure that the television antenna produces a clear signal under normal operating conditions. Also, ensure that the antenna cable is properly shielded and of good quality.
2. Change the positions of the inverter, antenna cables and TV power cord.
3. Isolate the TV, its power cord and antenna cables from the 24 volt power source by running an extension cord from the inverter to the television set.
4. Coil the television power cord and the input cables running from the 24 volt power source to the inverter.
5. Attach a "Ferrite Data Line Filter" to the television power cord. More than one filter may be required. These filters are available at most electronic supply stores.

Note:

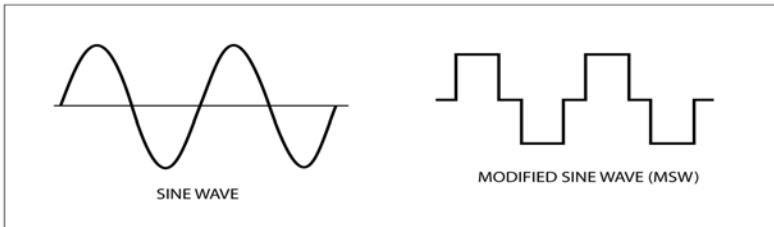
Some inexpensive audio systems may produce a slight "buzzing" sound when operated with the inverter. The only solution to this problem is to use a sound system with better power supply filtering.

How This Modified Sine Wave Power Inverter Works

There are two stages in which this power inverter changes the 24 volt DC (or battery) power into 110v AC (household current).

STAGE1: This inverter uses a DC to DC converter to increase the DC input voltage from the battery to 145 volts DC.

STAGE2: The inverter then converts the high voltage DC into 110v AC (household current), using advanced MOSFET transistor in a full bridge configuration. This design provides this PowerBright™ inverter with the capability to start and run difficult reactive loads, while providing excellent overload capability. The waveform that is generated by this conversion is a "modified sine wave" as shown in the diagram below.



Best use of Battery Power

Make sure any appliances are energy efficient and turned off after use. Use Compact Florescent Lamps. Wherever possible, charge with Solar Panels or Wind Generators. Do not allow lead acid batteries to remain discharged for long periods of time, they lose capacity (amp hours).

Disposal / Recycling of Inverter / California Proposition 65

Electronic products are known to contain materials that are toxic if improperly disposed. Contact local authorities for disposal and recycling information. This inverter is certified to be "lead free". Transformers in this inverter contain nickel composites. Nickel is a known neuro-toxin if ingested.

Troubleshooting

PROBLEM: No Input Voltage

Reason	Solution
Poor contact with battery terminals.	Shut down inverter and disconnect. Clean terminals thoroughly and reconnect
Blown DC battery fuse(s).	Turn off inverter. Fix problem. Replace fuse(s) with same type and rating

PROBLEM: Inverter is Shut Down

Reason	Solution
Battery voltage below 20 Volts	Charge or replace battery.
Inverter is too hot (thermal shut down mode). Red indicator is lit	Allow inverter to cool. Check for adequate ventilation. Reduce the load on the inverter to rated continuous power.
Unit may be defective.	See warranty and call customer service.

PROBLEM: Low Battery Alarm on all the Time

Reason	Solution
Input voltage below 21 Volts – buzzing sound	Keep input voltage above 21 Volts to maintain regulation.
Poor or weak battery condition.	Recharge or replace battery.
Inadequate power being delivered to the inverter or excessive voltage drop.	Use lower gage (heavier) cable. Keep cable length as short as possible.

PROBLEM: TV does not Work

Reason	Solution
TV does not turn on.	Contact TV manufacturer to find out if the TV is compatible with a modified sine wave.

Specifications

Name	Description
Input	24V (20-30V) DC
Output	110V AC
Output waveform	Modified Sine Wave (MSW)
Continuous power	900 Watt
Surge power	1800 Watt
Efficiency	Approx. 90 %
Power Switch	ON/OFF Control
Power Switch OFF	<0.5 ADC
Battery low alarm	21 ± 0.5 V DC
Battery low shutdown	20 ± 0.5 V DC
AC output sockets	2 North American Standard 15 amps
External fuses	3 X 15 amp (automotive spade type)
Dimensions	5" (W) x 2.75" (H) x 10.5" (D)
Net Weight	6 lbs

NOTE:

All specifications are typical at nominal line, half load, and 77deg F, 25 deg C unless otherwise noted. Specifications are subject to change without notice.

Warranty

All PowerBright™ products are warranted to the original purchaser of this product. Please keep a copy of your purchase receipt.

Warranty Duration: This product is warranted to the original purchaser for a period of one (1) Year from the original purchase date, to be free of defects in material and workmanship. PowerBright™ disclaims any liability for consequential damages. In no event will PowerBright™ be responsible for any amount of damages beyond the amount paid for the product at retail. In the event of a defective item, please ship the item, prepaid, with a complete explanation of the problem, your name, address and daytime phone number. PowerBright™ has been damaged by accident, in shipment, unreasonable use, misuse, neglect, improper service, commercial use, repairs by unauthorized personnel or other causes not arising out of defects in materials or workmanship. This warranty is does not extend to any units which have been used in violation of written instructions furnished.

Warranty Disclaimers: This warranty is in-lieu of all warranties expressed or implied and no representative or person is authorized to assume any other liability in connection with the sale of our products. There shall be no claims for defects or failure of performance or product failure under any theory of tort, contract or commercial law including, but not limited to negligence, gross negligence, and strict liability, breach of warranty and breach of contract.

Bright Manufacturing, LLC
2825 N. University Drive Suite 210
Coral Springs, FL 33065
Toll Free: 1-866-295-6775
Fax: 954-603-4930

Bienvenue

S'il vous plaît lire soigneusement ce manuel avant d'installer et d'utiliser votre Onduleur PowerBright®. Ce manuel contient des informations dont vous avez besoin pour obtenir les performances nécessaires pour votre application. Conservez ce manuel pour référence ultérieure.

A propos des Onduleurs PowerBright®

PowerBright, un innovateur en matière d'énergie portable, a mis au point une nouvelle gamme d'onduleur. Nos onduleurs sont extrêmement efficace (jusqu'à 90%).

L'onduleur PowerBright® convertit le courant continu (DC) au courant alternatif (AC 110 volts onde sinusoïdale modifiée). L'onduleur est alimenté à partir de batterie 24 volt tel que ceux utilisés pour les chariot de golf, fourche ascenseur ou d'autres sources de courant de 24 volt.

Tous nos onduleurs sont conçus pour s'éteindre automatiquement en cas de surcharge de puissance. Cette protection empêche d'endommager l'onduleur ainsi que vos appareils. Branchez l'appareille avec la plus haute puissance d'abord puis les autres appareils. Si une combinaison d'appareils ne fonctionnera pas correctement. Il est probable l'onduleur ne possède pas la capacité requise pour faire fonctionner le système en question.



MISES EN GARDE ET PRÉCAUTIONS

Il est très important que tout opérateur lis attentivement les instructions de cet onduleur avant de procéder à l'installation.

SVP suivre tous les **avertissements, mises en garde et les notes** et toutes les installations et le fonctionnement des instructions. En particulier se conformer à tout **AVERTISSEMENTS**.



MISES EN GARDE:

Le courant de sortie de l'onduleur et une tensions de courant alternatif de 240 volt.

- Danger de choc ou d'électrocution - traiter la sortie de l'onduleur de même qu'une alimentation de courant commerciales.
- Ne pas utiliser l'onduleur à proximité de matières inflammables ou dans un endroit ou s'accumulent des vapeurs inflammables.

Il s'agit d'un appareil électrique qui peut brièvement produire une étincelle lorsque les branchements électriques sont effectués ou cassé.

- Ne pas laisser de l'eau ou d'autres liquides à entrer en contact avec l'onduleur.
- Ne pas utiliser avec des appareils mouillés ou des câbles endommagés.



MISES EN GARDE: l'environnement d'exploitation de l'onduleur

- en périphérie de la température de l'air devrait être comprise entre -20°C et 40°C - idéalement entre 15°C et 25°C ($60 - 80^{\circ}\text{F}$).
- Gardez l'onduleur à l'abri du soleil, si possible.
- Gardez la zone entourant l'onduleur clair pour assurer une libre circulation d'air autour de l'unité. Si la température interne devient trop chaude l'unité va s'arrêter. Laisser refroidir l'onduleur avant de le redémarrez.
- L'onduleur PowerBright™ fonctionnent à partir d'une source d'alimentation 24V DC.
- Ne pas essayer de connecter l'onduleur à toute autre source d'énergie, y compris toute source d'alimentation AC
- Ne pas inverser la polarité d'entrée DC - ce ci annulera la garantie.



MISES EN GARDE APPAREIL

- Ne pas brancher les chargeurs de batterie pour outils électriques sans fil si le chargeur est passible d'une mise en garde que des tensions dangereuses sont présents sur les bornes de la pile.
- Certains chargeurs de batterie nickel cadmium ou nickel métal hydrure peuvent être endommagés si alimenté par l'onduleur. Deux types d'appareils sont susceptibles d'être endommagés: Petit appareils alimenté par pile, comme les lampes de poche, brosses à dents sans fil et rasoirs qui se branchent directement dans une prise AC.
- Certains chargeurs de batteries pour blocs piles qui sont utilisés dans des outils sans-fil. Ne pas utiliser cet onduleur avec ces deux types d'équipement dont les chargeurs ont une étiquette d'avertissement indiquant que des tensions dangereuses sont présents sur les bornes de la pile.
- La majorité des appareils portatifs n'ont pas ce problème. La plupart des appareils portatifs utilisent des transformateurs ou des chargeurs à basse tension DC ou AC a la sortie de l'appareil
- Utilisez la sécurité approuvé correctement évalué les rallonges (15 ampères ou plus).

- Certains dispositifs GFCI peuvent ne pas fonctionner avec une onde sinusoïdale modifiée.
- Cet onduleur n'est pas testé pour une utilisation avec des équipements médicaux.
- Cet onduleur n'est pas d'utilisation dans les applications marines.
- Dans le cas d'une alarme sonore continue ou automatique arrêt, éteindre l'onduleur immédiatement. Ne pas redémarrer l'onduleur jusqu'à ce que la source du problème a été identifiée et corrigée.
- Lors de l'utilisation de chargeurs de batteries à plomb acide, surveiller la température du chargeur de batterie pendant environ 10 minutes. Si le chargeur de batterie devient anormalement chaud, débranchez immédiatement l'onduleur.

Mise en route

Quand un appareil motorisé ou un outil s'allume, il produit une première poussée. Cette poussée de puissance que l'on appelle «la charge de pointe.»

Une fois démarrée, l'outil ou l'appareil nécessite moins de puissance pour fonctionner. Ce qu'on appelle la «charge continue» en termes de puissance. Vous devrez déterminer la quantité d'alimentation dont votre outil ou appareil a besoin pour démarrer (à charge) et la continuité du fonctionnement de charge nécessaires (charge continue).

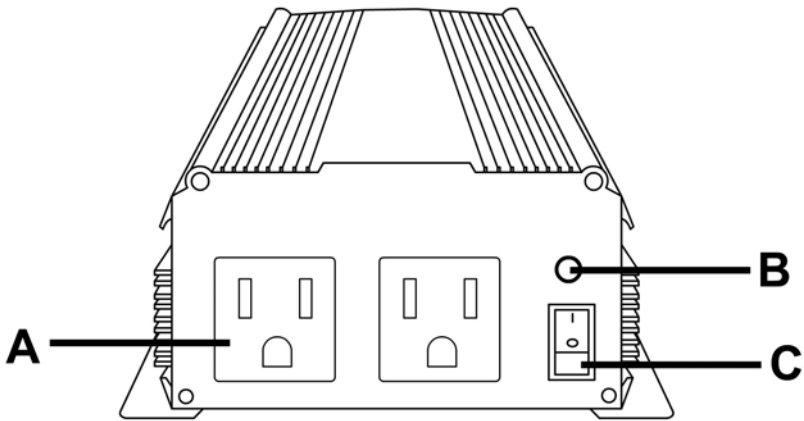
La consommation électrique est évaluée en watts, ou il peut être calculée à partir d'ampères (ampères). Cette information est habituellement estampillée ou imprimée sur la plupart des appareils et équipements. Si cette information n'est pas indiquée sur l'appareil ou l'équipement, vérifiez le manuel du propriétaire. Pour certains appareils sensibles vérifiez avec le fabricant pour déterminer si l'appareil que vous utilisez est compatible avec une onde AC sinusoïdale modifiée.

Ces formules vous permettront d'obtenir une approximation étroite de la charge en continu de votre appareil.

Multipliez: **AC AMPS X 110** (alimentation en courant alternatif) = **Watts**

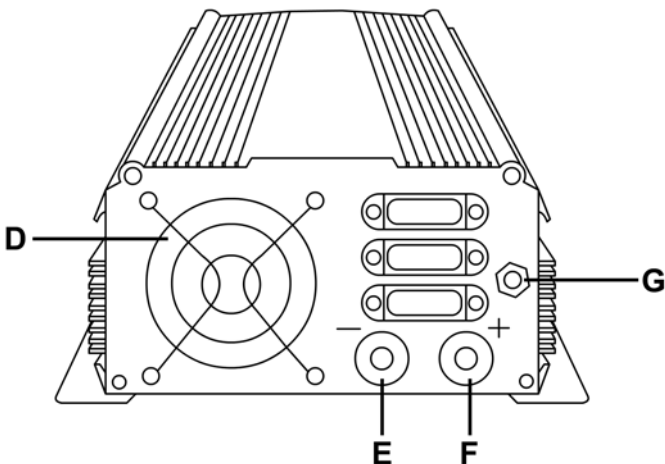
Ces formules vous permettent d'obtenir une approximation étroite de la charge à partir de la plupart des appareils. Les exceptions sont les appareils motorisés tels que les pompes, congélateurs et climatiseurs. Ces appareils peuvent avoir des charges de démarrage d'un maximum de huit fois de ce qui est inscrit sur l'appareil.

Panneaux Frontale ML900-24



- A. Deux prises AC, chaque prise nominale et de 15 ampères
- B. LED indicateur de surcharge. Si la puissance continue de l'appareil (s) dépasse 900 watts, ce feu passera ORANGE / ROUGE et l'onduleur s'arrêtera automatiquement. Lorsque cela se produit, éteignez l'onduleur et de déterminer la cause de la surcharge avant de redémarrez l'onduleur
- C. ON / OFF Allume et éteint l'onduleur.

Panneaux Arrière ML900-24



D. Ventilateurs a Haute vitesse de refroidissement. Lorsque la température à l'intérieur de l'onduleur dépasse une limite prédéterminer, le ventilateur de refroidissement s'allume automatiquement pour refroidir l'onduleur. Lorsque la température diminue, le ventilateur s'éteindra.

E. Bornes d'entrée de l'alimentation négative

F. Bornes d'entrée de l'alimentation positive

G. Borne de branchement terre

Déterminer les besoins en électricité à courant continu

En alimentant plusieurs appareils de haute puissance le ML900-24 exige une banque de piles (plusieurs batteries). Pour **calculer** la puissance approximative en ampères une batterie de 24 volts doit vous fournir les ampères nécessaires pour alimenter la charge continue AC. Une méthode de raccourci consiste à diviser l'AC continue de charge de 20 watts. Par exemple, la charge continue AC est de 900 watts. Le courant (ampères) est la suivante: $900/20 = 45$ ampères à 24 V DC.

Ajouter à la charge toute appareils à être alimenté par la banque de batterie.

Le calibrage de la batterie

Pour déterminer le minimum ampère-heure des batteries dont vous aurez besoin pour fonctionner vos appareils avec l'onduleur suivez ces étapes:

1. faire une liste de la puissance maximale dont l'onduleur doit fournir (voir ci-dessus).
2. Estimation du nombre d'heures dont les appareils qui seront en service sur la batterie. A titre d'exemple, l'utilisation d'une cafetière consomme 500 watts au cours de brassage pour une période de 5 minutes, et 100 watts pour maintenir la température du pot. L'utilisation typique d'un four à micro-ondes est seulement pour quelques minutes. Certains plus de temps de fonctionnement comme les Téléviseur, ordinateurs et réfrigérateur etc.
3. Déterminer le total watts heures d'énergie nécessaire. Puis, multiplier la puissance moyenne de consommation en watts par le nombre d'heures de temps d'exécution. Par exemple: 900 watts pendant 10 heures = 9000 Wh.

Utilisation du 900 watts (ou 45 ampères) pendant 10 heures comme exemple ci-dessus, puis 45 RSAP est nécessaire pour 10 heures. Cela nous donne la base ampère / heure (Ah) de la batterie qui est nécessaire. Dix heures à 45 ampères est égal à 450 ampères-heures (Ah). Cette réponse n'est qu'un début, car il existe d'autres conditions qui déterminent la durée réelle. Il s'agit notamment de:

- l'appareil de charge et durée d'utilisation (de base ampères-heures)
- l'épaisseur des Câbles et la longueur (pertes de câblage)
- niveau de charge des batteries (entre l'utilisation, un chargeur doit être en mesure de charger complètement les piles)
- Température des batteries (batteries froides on moins d'ampères)
- L'âge et l'état des piles (piles âgées perdent de la capacité ampères-heures)

Note:

Le type de piles que vous utilisez pour alimenter votre onduleur a haute puissance est important. Les piles utilisées pour démarrer les moteurs ne sont pas conçues à plusieurs reprises de charge et de décharge. PowerBright™ recommande l'utilisation de "Charge Profonde" ou "marines".

L'épaisseur des Câbles

Lorsque vous connectez l'onduleur à une batterie. Si l'onduleur et la batterie sont placés dans les quatre pieds les uns des autres, un minimum câble 8# doit être utilisé pour le raccordement.



AVERTISSEMENT: Danger d'explosion de batterie installer des fusibles

Une banque de Batterie peuvent fournir des niveaux très élevés de courant qui peut vaporiser le métal, le début des incendies et provoquer des explosions. PowerBright™ recommande d'installer un fusible de type ANL connecter au câble positif de la batterie. Ce Fusible protège les piles contre les courts circuit des câbles DC qui peuvent causer les piles à exploser. En utilisant un fusible de 50 ampères sur le câble Positif. Les fusibles ANL sont disponibles dans la plupart des magasins de produits marins.



MISES EN GARDE:

- Des connexions desserrées peuvent entraîner une diminution de tension qui peuvent causer des dommages à des câbles et l'isolation.

- Le défaut de polarité (Pos, Neg) lien entre l'onduleur et la banque batterie peut se traduire par soufflage de fusibles dans l'onduleur et une détérioration permanente de l'onduleur. Les dommages causés par une inversion de polarité ne sont pas couverts par la garantie PowerBright™.
- Faire la connexion à la borne positive provoque une étincelle. Ceci est le résultat de courant de charge des condensateurs dans l'onduleur. C'est un événement normal.
- En raison de la possibilité d'étincelles, toutefois, il est extrêmement important que l'onduleur et la batterie de 24 volts soit placé loin de toute source possible de vapeurs inflammables ou de gaz. Le fait de ne pas tenir compte de cet avertissement peut provoquer un incendie ou une explosion.
- Le fonctionnement de l'onduleur sans le branchement au bornes de terres peut créer un choc électrique.

Montage d'un Onduleur

Votre onduleur PowerBright™ ne doit pas être monté sous le capot d'un véhicule.

Si l'installation dans un véhicule, choisissez un endroit sec, frais et aéré le plus proche de la batterie que possible. Avant tout forage des trous de montage, assurez-vous qu'il n'a pas de fils électriques ou de réservoirs de carburant directement en dessous de la surface à forer.

Pour monter l'onduleur:

1. Le bouton ON / OFF doit être en position OFF.
2. L'onduleur doit être monté horizontalement.
3. Position de l'onduleur contre la surface de montage et marquez l'emplacement des vis de montage des ouvertures.
4. Retirez l'onduleur et percez quatre trous de fixation.
5. Fixez l'onduleur à la surface de montage en utilisant un résistant à la corrosion de fixation de taille # 10 ou plus.

Connexion de l'onduleur

cet onduleur a un ensemble de câbles de connexion DC, un positif et un négatif.

L'ordre des étapes de la procédure suivante minimise le risque de formation d'étincelles à proximité de la banque de batterie.

1. Préparer tous les câbles assurer vous de l'épaisseur requise
2. Installer le fusible titulaire dans tous le câble Positif.

3. Assurez-vous que l'interrupteur ON / OFF situé sur le panneau avant de l'onduleur est en arrêt (O).
 4. S'assurer que tous les appareils ou les cordons de rallonges sont déconnectés de l'onduleur.
 5. Connectez un fil 8 AWG isolé dans la borne de terre et connecter l'extrémité libre du fil au châssis du véhicule ou de tout autre motif.
 6. Branchez le câble négatif (-) au borne de la batterie.
 7. Branchez le câble négatif à l'onduleur au borne négatif (-) de l'onduleur.
 8. Isolez les deux extrémités de câbles à être connectés au terminaux POS (+) de l'onduleur.
 9. Connectez le câble positif au bornes Positif de la batterie (+).
 10. connectez le câble POS (+) au bornes (+) de l'onduleur .
- NOTE: les étincelles sont normales pendant la connexion.**
11. Assurez-vous que vous avez de bonnes connexions sécurisées – ne pas trop serrer.

Opération

1. Mettez l'onduleur sur la position (ON), assurez vous que la lumière de surcharge n'est pas allumer.
2. Mettre l'onduleur sur la position OFF (O) l'onduleur. La lumière peut brièvement "clignoter" et l'alarme sonore peut également produire un son bref, C'est normal.
 3. Lorsque vous avez confirmé que l'appareil pour être actionné est éteint, branchez un appareil dans une des quatre prises 110v AC sur le panneau avant de l'onduleur.
 4. Allumez l'onduleur.
 5. Mettez l'appareil en marche.
 - 6 Branchez dans d'autres appareils et les activer.

Note:

- L'alarme sonore peut momentanée faire un bref son, lorsque l'onduleur est éteint, également lorsque l'onduleur est connecté ou déconnecté de la batterie de 24 volt.
- Lorsque vous utilisez une rallonge électrique a l'onduleur à un appareil, le cordon prolongateur ne doit pas être supérieure à 50 pieds.

Téléviseurs et system audio

Bien que tous les onduleurs PowerBright sont blindé et filtré afin de minimiser les interférences de signal, certaines interférences avec votre image de télévision est inévitable, en particulier dans les zones a faible signal.

Cependant, voici quelques suggestions qui peut améliorer la réception:

1. Tout d'abord, assurez-vous que l'antenne de télévision produit un signal clair. Aussi, assurez-vous que le câble d'antenne est correctement protégé et de bonne qualité.
2. Changer les positions de l'onduleur, câbles d'antenne TV et cordon d'alimentation.
3. Isoler la télévision, son cordon d'alimentation et câbles d'antenne de 24 volts a la source d'alimentation, en exécutant une rallonge électrique de l'onduleur à la télévision.
4. Bobiner le cordon d'alimentation de la télévision et les câbles d'entrée 24 volts qui alimente l'onduleur.
5. connecter une "Filtre Ferrite " au cordon d'alimentation de la télévision. Plus d'un filtre peut être exigée. Ces filtres sont disponibles dans la plupart des magasins électroniques.

Note:

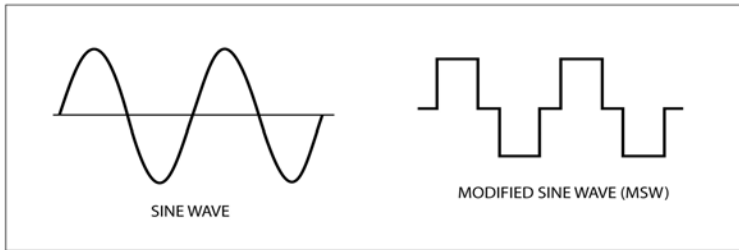
Certains systèmes audio peu coûteux peuvent produire un léger "bourdonnement" lorsque utilisé avec l'onduleur. La seule solution à ce problème est d'utiliser un système de son avec un meilleur filtrage d'alimentation.

Comment un onduleur a onde sinusoïdale modifier fonctionne.

Il y'a deux étapes dans la conversion de 24 volt DC (ou de la batterie) a 110v AC.

Stage1: l'onduleur utilise un convertisseur DC a DC qui augmenter la tension d'entrée 24V DC de la batterie à 145 volts DC.

Stage2: L'onduleur convertit la haute tension à courant continu en 110v AC, en utilisant des transistors MOSFET dans une configuration en pont complet. Cette conception offre l'onduleur PowerBright™ la capacité de créer et de gérer des charges difficile réactive, tout en offrant une excellente capacité de surcharge. La forme d'onde qui est généré par cette conversion est une «onde sinusoïdale modifiée», tel qu'indiqué dans le diagramme ci-dessous.



La plupart des multimètre n'arrive pas à lire le voltage RMS de l'onduleur a onde sinusoïdale modifiée, utilisez un multimètre identifiés "True RMS".

Optimiser l'utilisation de batterie - information Générale

Meilleure utilisation de Pile

Assurez-vous que tous les appareils sont économes en énergie et éteignez après usage. Utilisez des lampes fluorescentes compactes. Dans la mesure possible de panneaux solaires ou éoliennes. Ne laissez pas les batteries au plomb-acide rester congédié pour de longues périodes de temps, ils perdent de la capacité (ampères-heures).

Proposition 65 de la Californie sur l'élimination ou le recyclage de l'Onduleur

Les produits électroniques sont connus pour contenir des matériaux qui sont toxiques s'ils sont éliminés. Contacter les autorités locales en vue de leur élimination et le recyclage. Cet onduleur est certifié pour être "sans plomb". Les transformateurs dans cet onduleur peuvent contenir du nickel composite. Le nickel est connu un neurotoxine en cas d'ingestion.

Dépannage

Problème: pas de tension d'entrée

Raison	Solution
Mauvais contact avec les terminaux de batterie	éteindre l'onduleur et déconnectez. Nettoyer les terminaux de manière approfondie et reconnecter
Fusibles DC brûler	Éteignez l'onduleur. Remplacer les fusible avec le même type et capacité

Problème: L'onduleur s'éteint

Raison	Solution
Le voltage de la batterie est en dessous de 20 Volt	recharger ou remplacer la batterie
Onduleur est trop chaud (mode arrêt thermique). Indicateur rouge est allumé	Laissez refroidir l'onduleur. assurez vous d'avoir une ventilation adéquate. réduire la charge à la puissance nominale continue.
Unité peut-être défectueuse	Consulter notre garantie et appeler notre service a la clientèle

PROBLEME: alarme de batterie faible sonne tous le temps

Raison	Solution
Tension d'entrée dessous 21 volts - bourdonnement sonore	Gardez la tension d'entrée au-dessus de 21 volts
faible état des piles	Recharger ou remplacer la pile
L'insuffisance de courant à l'onduleur ou chute de tension excessive.	Utilisez des câbles plus courts ou des câbles de plus haute tension

PROBLEME: Téléviseur ne fonctionne pas

Raison	Solution
Téléviseur ne s'allume pas	Contacter le fabricant pour savoir si le téléviseur est compatible avec une onde sinusoïdale modifiée.

Spécifications

Nom	Description
Entrée	24V (20-30V) DC
Sortie	115V AC
Forme d'onde de sortie	onde sinusoïdale modifiée
Puissance continue	900 Watt
courant de charge	1800 Watt
efficacité	Approx. 90 %
Contrôle	ON/OFF Contrôle
courant pas de charge	<0.15 ADC
Alarme de Batterie faible	21 ± 0.5 V DC
Arrêt Batterie faible	20 ± 0.5 V DC
AC 4 prises de courant	2 standard Nord Américain 15 ampères
Fusible externe	3 X 15 amp (automotive spade type)
Dimensions	5" (W) x 2.75" (H) x 10.5" (D)
Poids net	6 lbs

NOTE:

Toutes les spécifications sont typiques de 25° C, sauf indication contraire. Les spécifications sont sujettes à changement sans préavis.

Garantie

Tous les produits PowerBrightMT sont garantis à l'acheteur original de ce produit. S'il vous plaît garder une copie de votre reçu de caisse.

Durée de garantie: Ce produit est garanti à l'acheteur original pour une période de un (1) an à compter de la date d'achat d'origine, d'être à l'abri de défauts de matériel et de main-d'œuvre. PowerBrightTM décline toute responsabilité pour dommages et intérêts. En aucun cas, PowerBrightTM n'est responsable pour tout montant de dommages intérêts au-delà du montant payé pour le produit au détail. Dans le cas d'un article défectueux, s'il vous plaît envoyer l'objet, prépayé, avec une explication complète du problème, votre nom, adresse et numéro de téléphone de jour. Cette garantie ne s'étend pas aux unités qui ont été utilisés en violation des instructions écrites fournies ou si le produits a été endommagé par accident, en cours d'expédition, utilisation déraisonnable, utilisation abusive, négligence, l'utilisation commerciale, par des réparations de personnel non autorisé ou pas d'autres causes découlant de tout vice de matériaux ou de main-d'œuvre.

Garantie Avertissements: Cette garantie est en lieu et place de toute garantie expresse ou implicite et aucun représentant n'est autorisé à assumer toute autre responsabilité en rapport avec la vente de nos produits. Il n'y aura pas de réclamations pour les défauts ou de l'échec de la performance ou le produit défaillance dans toute théorie de la responsabilité délictuelle, de contrats ou du droit commercial, y compris, mais pas limité à la négligence, une négligence grave, et la responsabilité objective, d'une violation de garantie et de la violation de contrat.

Bright Manufacturing, LLC
2825 N. University Drive Suite 210
Coral Springs, FL 33065
Toll Free: 1-866-295-6775
Fax: 954-603-4930



www.PowerBright.com
TOLL FREE: 1.866.295.6775

DESIGNED IN CANADA
ASSEMBLED IN CHINA



ML900-24
POWER INVERTER
ONDULEUR DE COURANT

110 VOLT